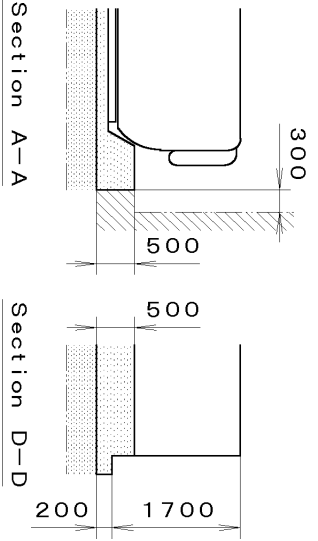
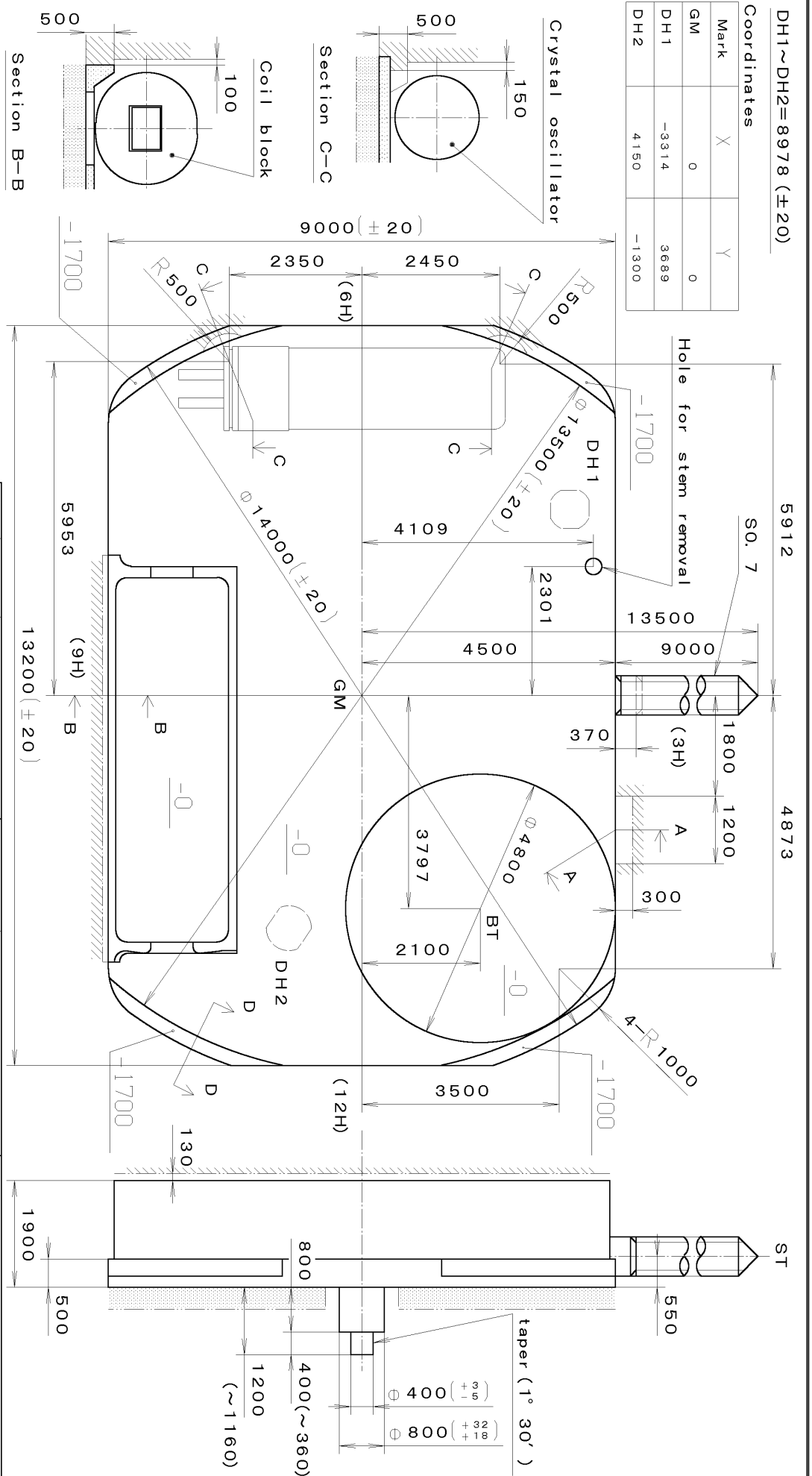


DH1~DH2=8978 (±20)

Coordinates		
Mark	X	Y
GM	0	0
DH1	-3314	3689
DH2	4150	-1300



Quantity	Unit	Scale	Date	Checked	Approved
7					
6					
5					
4					
3					
2					
1					

Material	Heat Treatment	Hardness	Plating

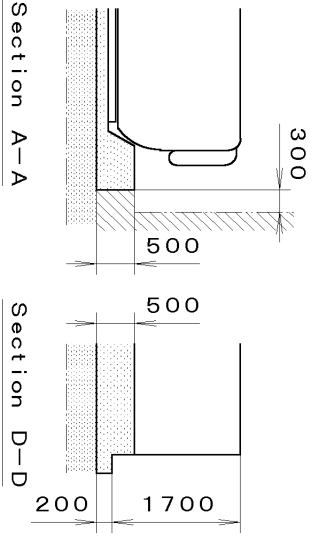
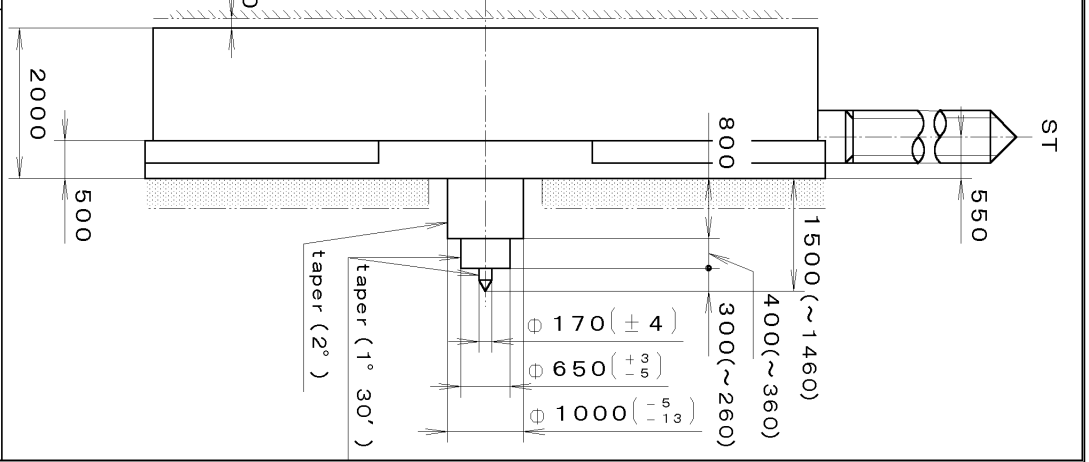
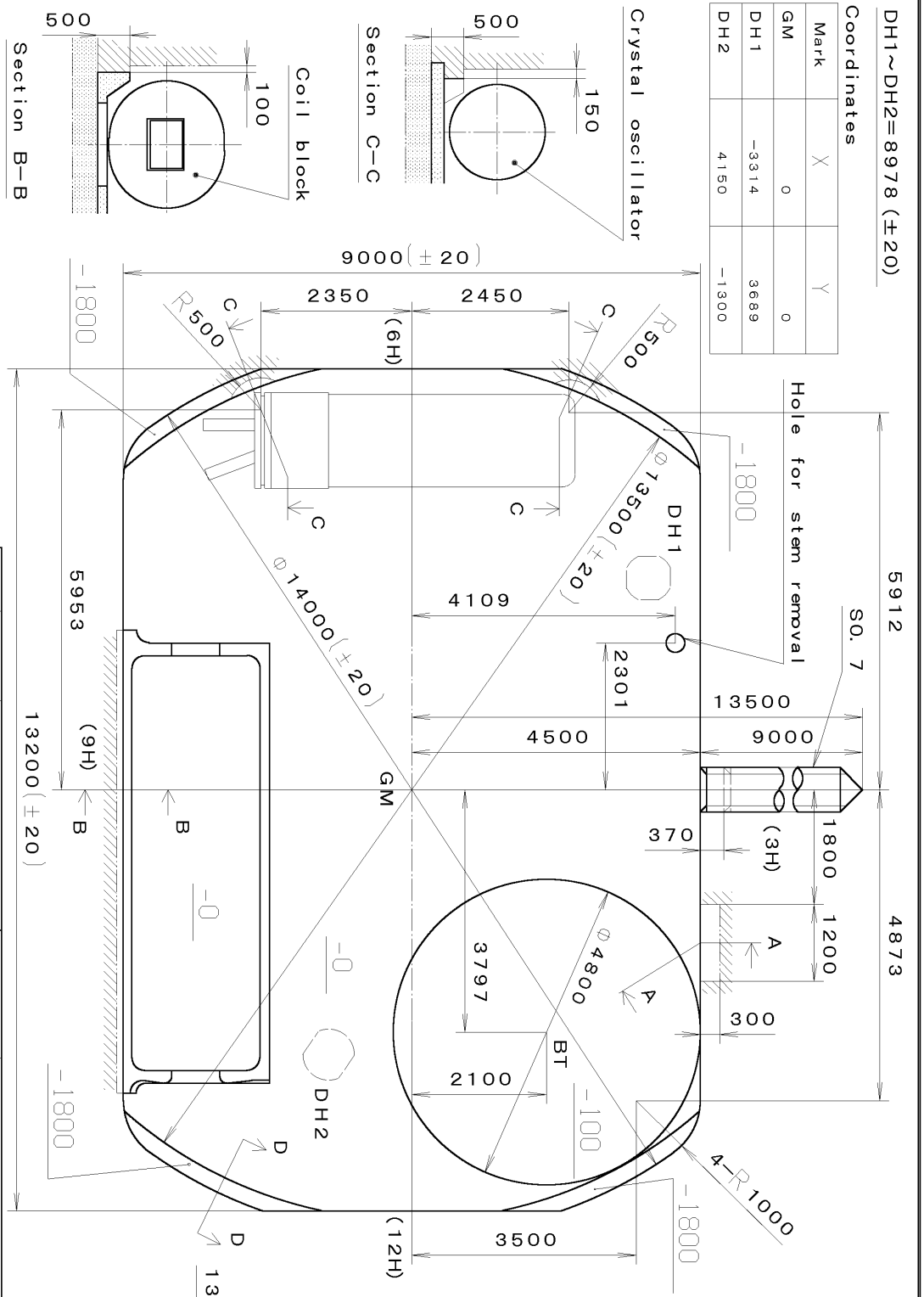
General Tolerances	Dimensions	Angles

Cal. No. : 5R21	Parts :
Name : Frame for Case	Drawing No. : 5R21C000

CITIZEN WATCH CO., LTD.
 TOKYO, JAPAN

DH1~DH2=8978 (±20)

Coordinates		
Mark	X	Y
GM	0	0
DH1	-3314	3689
DH2	4150	-1300



Quantity	Unit	Scale	Date	Checked	Approved
7					
6					
5		10:1			
4					
3					
2					
1					

Material	Heat Treatment	Hardness	Plating

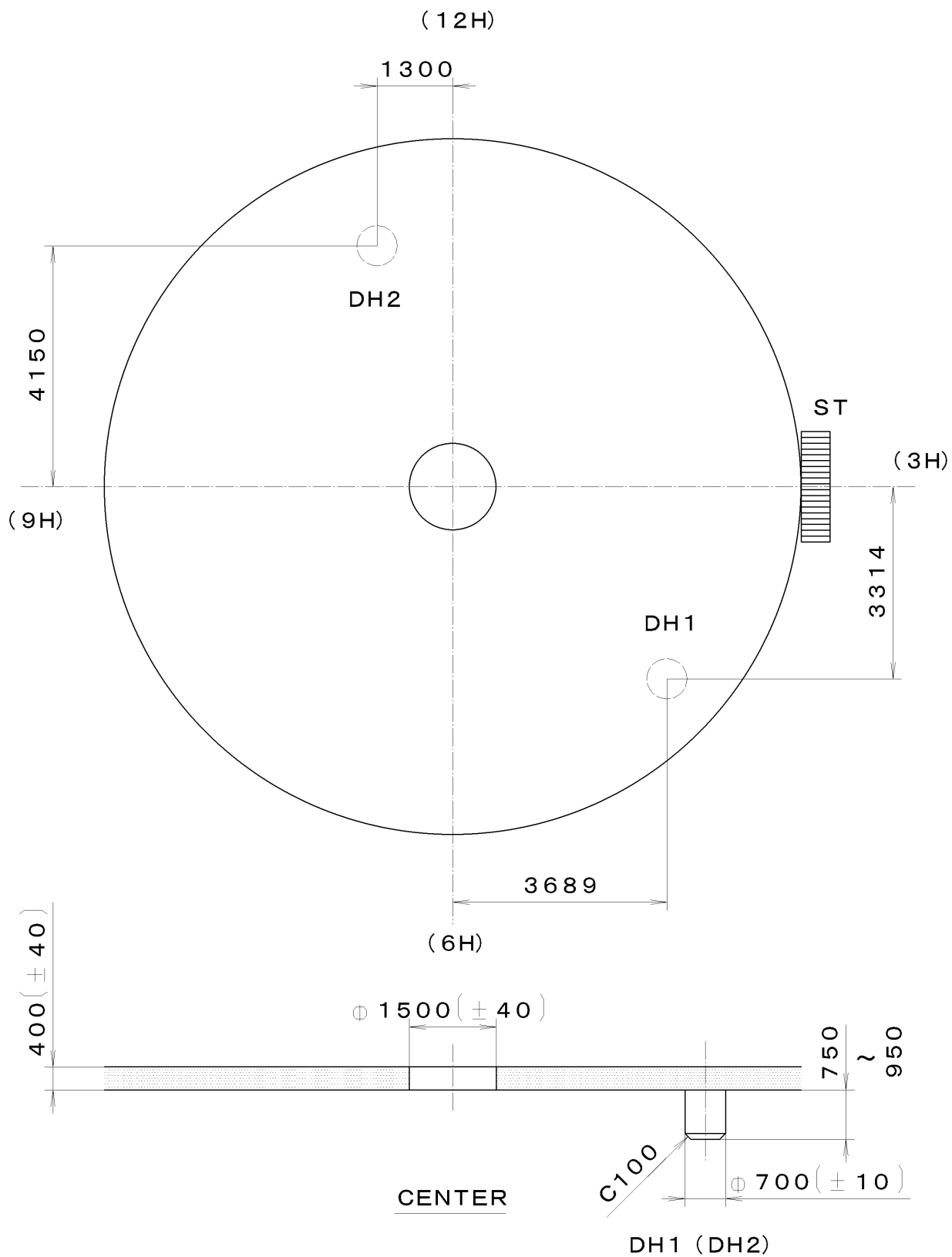
General Tolerances	Dimensions	Angles

Cal. No. :	5R32
Parts :	
Name :	Frame for Case
Drawing No. :	5R32C000

CITIZEN WATCH CO., LTD.
TOKYO, JAPAN

This drawing is provisional and subject to our reconfirmation and/or revision without notice.

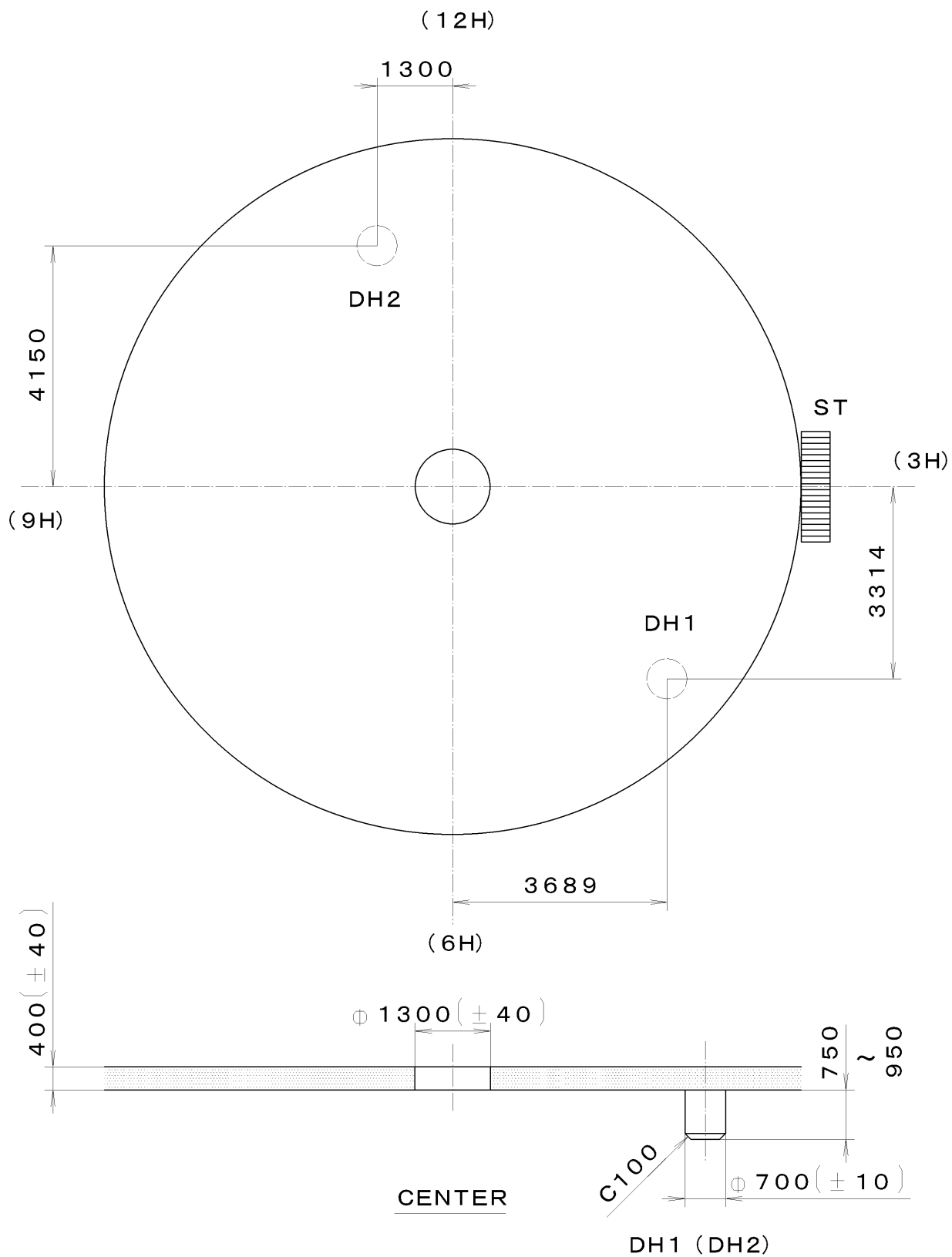
*** T I P W 5R32-00A (01) *** (2100 1121) 03-02-25



△7			Quantity		Cal. No. :	5R32-00A
△6			Unit	1/1000 mm	Parts:	
△5			Scale	10:1	Name:	Indications for Dial
△4			Date		Drawing No. :	5R32D001
△3			Drawn			
△2			Checked	M. Fukuda		
△1			Approved			
Material			General Tolerances			CITIZEN WATCH CO., LTD. TOKYO, JAPAN
Heat Treatment			Dimensions			
Hardness			Angles			
Plating						

This drawing is provisional and subject to our reconfirmation and/or revision without notice.

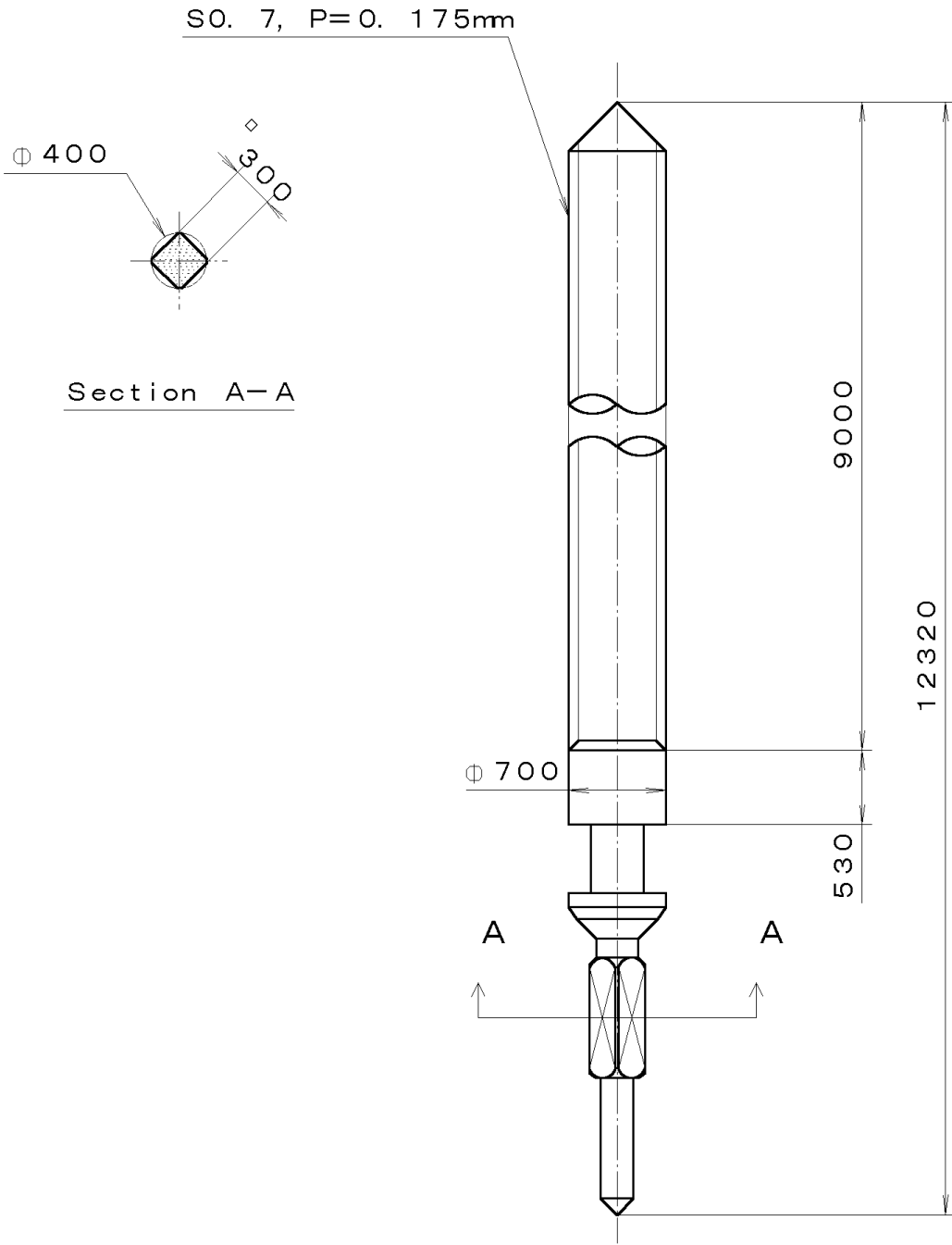
*** T I P W 5R21-00A (01) *** (2100 1121) 03-02-25



*** T I P W 5R21-00A (01) *** 1 2 3 4 5 6 7	Quantity		Cal. No. :	5R21-00A
	Unit	1/1000 mm	Parts:	
	Scale	10:1	Name:	Indications for Dial
	Date		Drawing No. :	5R21D000
	Drawn			
	Checked	M. Fukuda		
	Approved			
Material		General Tolerances	CITIZEN WATCH CO., LTD. TOKYO, JAPAN	
Heat Treatment		Dimensions		
Hardness		Angles		
Plating				

This drawing is provisional and subject to our reconfirmation and/or revision without notice.

065-413 (01) *** (2100 1121) 00-06-22



7			Quantity		Cal. No. :
6			Unit	1/1000 mm	Parts:
5			Scale	20:1	
4			Date		065-413
3			Drawn		
2			Checked	T. Hiruta	Name:
1			Approved		SETTING STEM
Material					Drawing No. : 4130S000
Heat Treatment			General Tolerances		CITIZEN WATCH CO.,LTD. TOKYO, JAPAN
Hardness			Dimensions		
Plating			Angles		