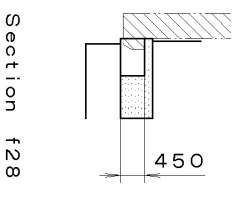
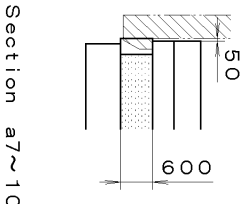
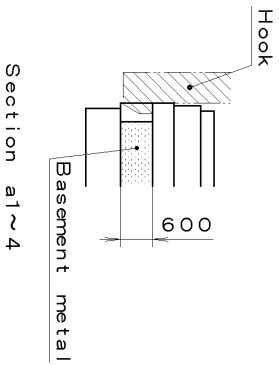
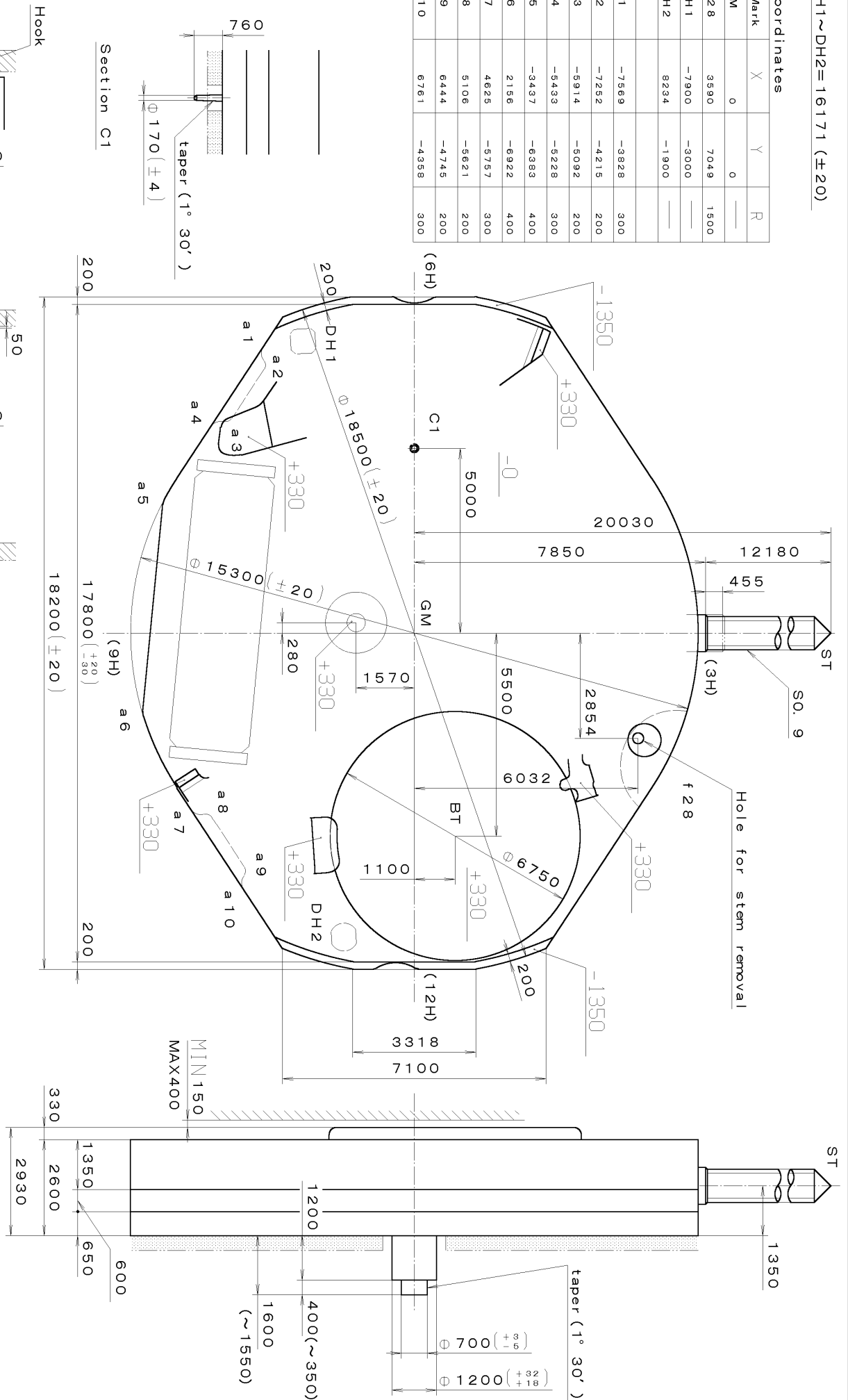


DH1~DH2=16171 (±20)

Coordinates			
Mark	X	Y	R
GM	0	0	—
f 28	3590	7049	1500
DH1	-7900	-3000	—
DH2	8234	-1900	—
a 1	-7569	-3828	300
a 2	-7252	-4215	200
a 3	-5914	-5092	200
a 4	-5433	-5228	300
a 5	-3437	-6383	400
a 6	2156	-6922	400
a 7	4625	-5757	300
a 8	5106	-5621	200
a 9	6444	-4745	200
a 10	6761	-4358	300

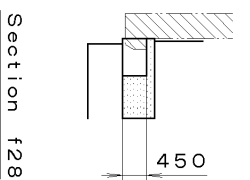
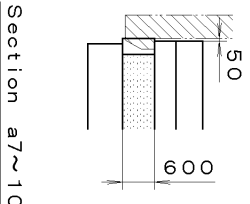
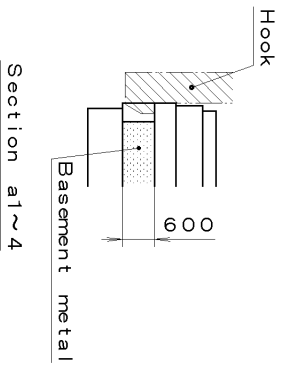
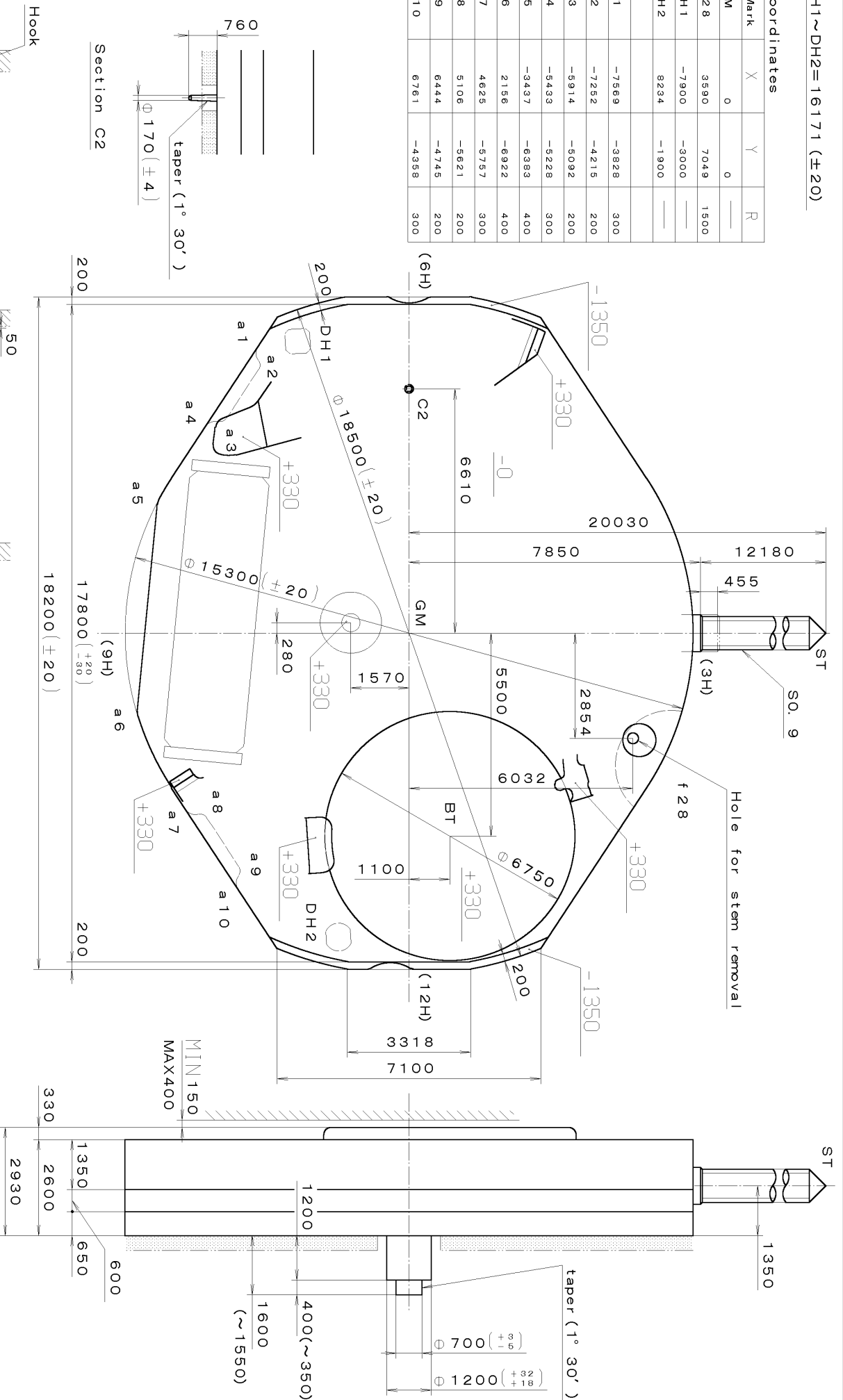


Material	Quantity	Unit	Cal. No. :
Heat Treatment	1/1000	mm	1L40
Hardness	Scale	10:1	Parts:
Plating	Date		
	Drawn		
	Checked	T. Hiruta	Name:
	Approved		Frame for Case
			Drawing No. : 1L40C0000
General Tolerances			
Dimensions			
Angles			

CITIZEN WATCH CO., LTD.
TOKYO, JAPAN

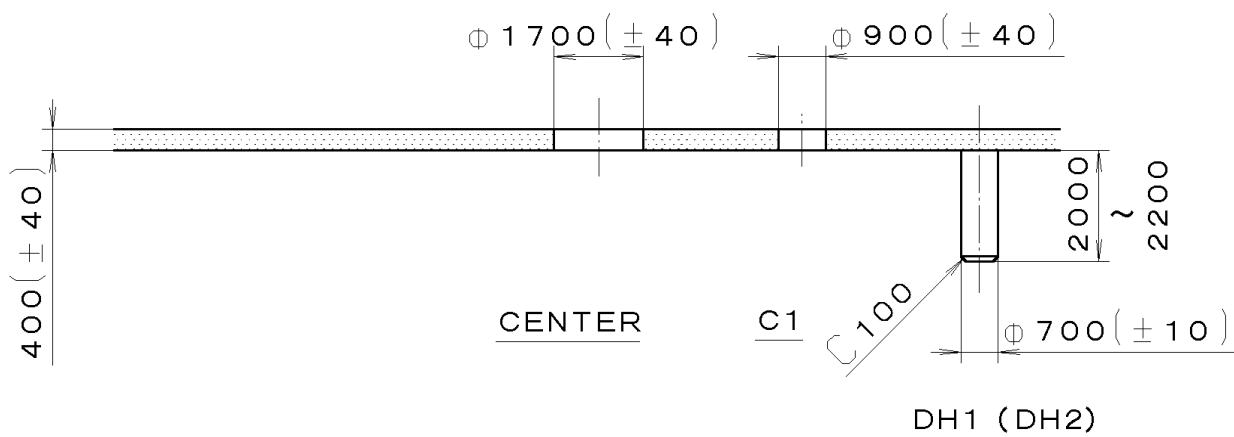
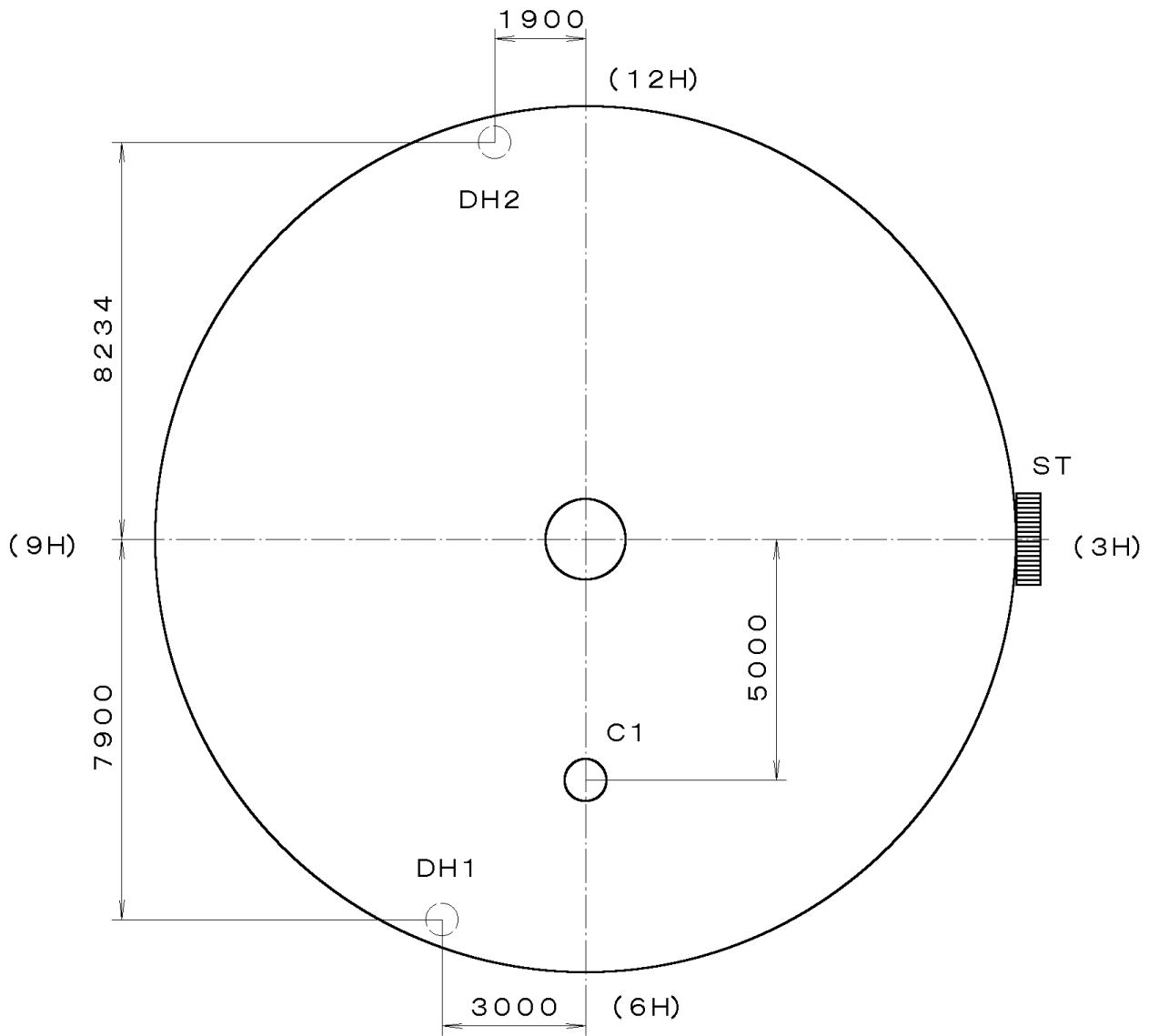
DH1~DH2=16171 (±20)

Coordinates			
Mark	X	Y	R
GM	0	0	—
f 28	3590	7049	1500
DH1	-7900	-3000	—
DH2	8234	-1900	—
a 1	-7569	-3828	300
a 2	-7252	-4215	200
a 3	-5914	-5092	200
a 4	-5433	-5228	300
a 5	-3437	-6383	400
a 6	2156	-6922	400
a 7	4625	-5757	300
a 8	5106	-5621	200
a 9	6444	-4745	200
a 10	6761	-4358	300



Material	Heat Treatment	Hardness	Plating	Quantity	Unit	Scale	Date	Drawn	Checked	Approved	Name:	Drawing No.:	Cal. No.:	Parts:
					1/1000 mm	10:1			T. Hiruta		T. Hiruta	1L45C0000	1L45	
General Tolerances												CITIZEN WATCH CO., LTD.		
Dimensions												TOKYO, JAPAN		
Angles														

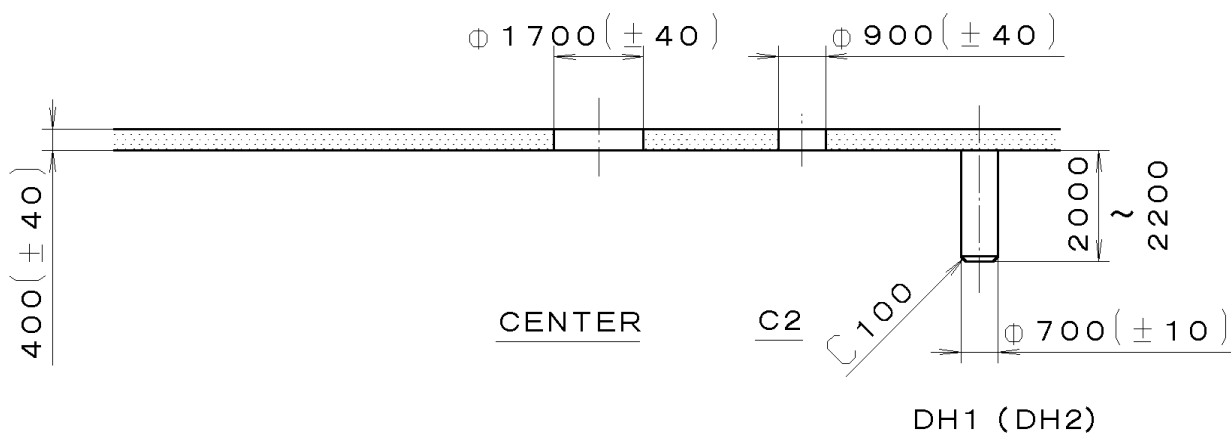
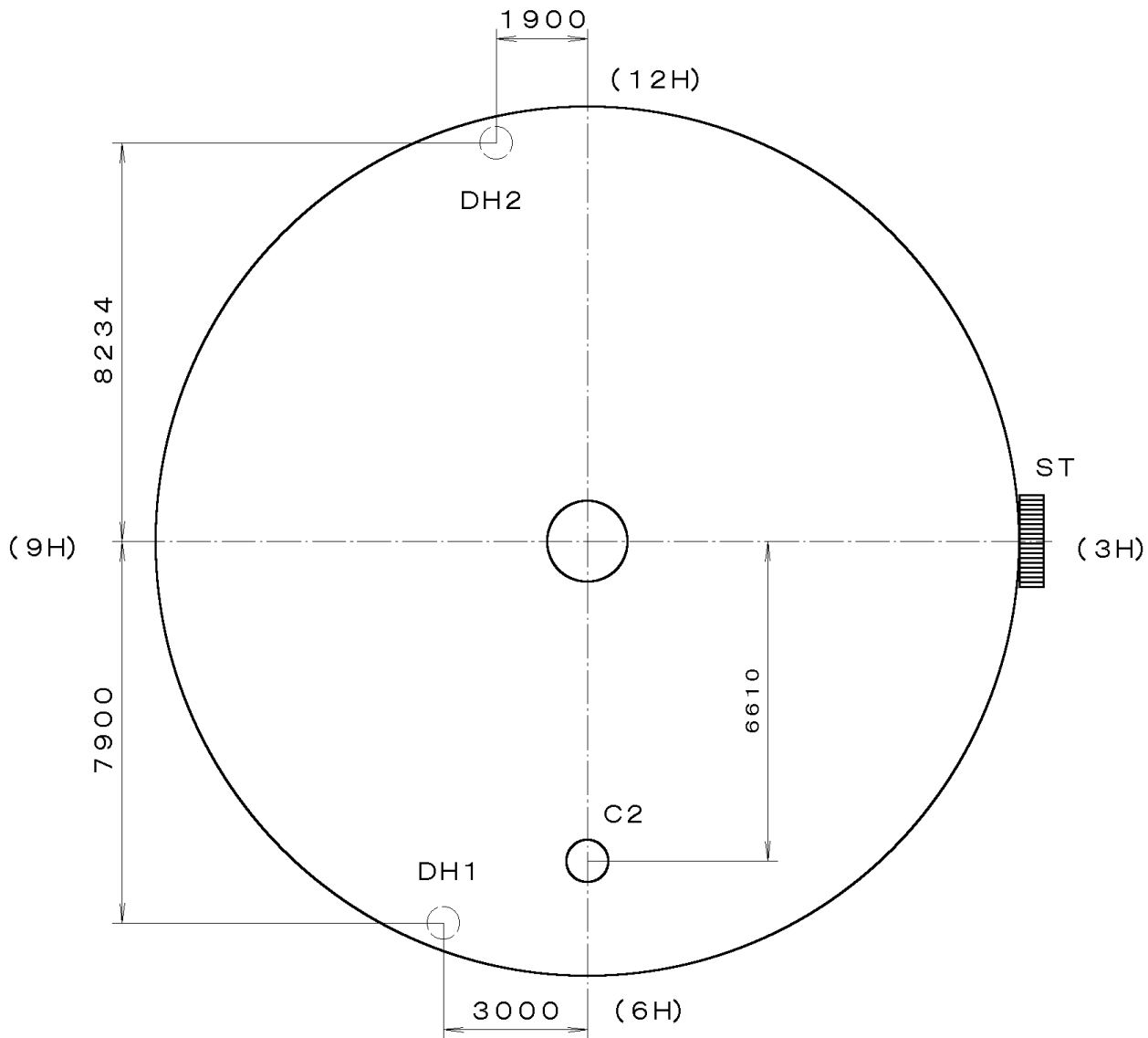
This drawing is provisional and subject to our reconfirmation and/or revision without notice.



*** T I P W 1L40-10A (01) *** (2100 1121) 00-06-12

7		Quantity		Cal. No. :	1L40-10A
6		Unit	1/1000 mm	Parts:	
5		Scale	7:1	Name:	Indications for Dial
4		Date		Drawing No. :	1L40D000
3		Drawn			
2		Checked	T. Hiruta		
1		Approved			
Material					
Heat Treatment		General Tolerances		CITIZEN WATCH CO.,LTD. TOKYO, JAPAN	
Hardness		Dimensions			
Plating		Angles			

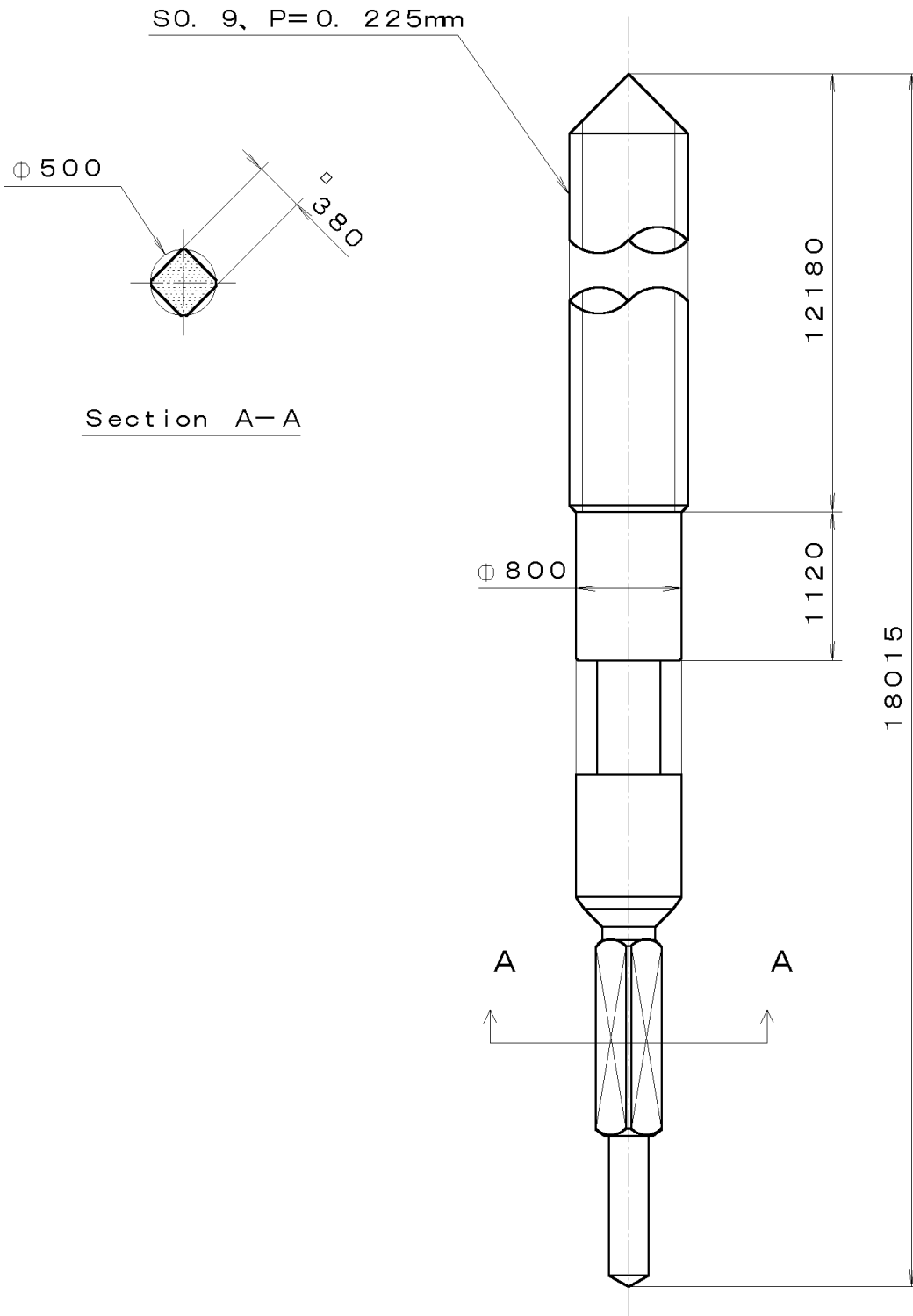
This drawing is provisional and subject to our reconfirmation and/or revision without notice.



*** T I P W 1L45-10A (01) *** (2100 1121) 00-06-12

7			Quantity		Cal. No. :	1L45-10A
6			Unit	1/1000 mm	Parts:	
5			Scale	7:1	Name:	Indications for Dial
4			Date		Drawing No. :	1L45D000
3			Drawn			
2			Checked	T. Hiruta		
1			Approved			
Material						
Heat Treatment			General Tolerances		CITIZEN WATCH CO.,LTD. TOKYO, JAPAN	
Hardness			Dimensions			
Plating			Angles			

This drawing is provisional and subject to our reconfirmation and/or revision without notice.



*** T I P W (01) *** (2100 1121 A-01 A-01) 00-06-22

7		Quantity		Cal. No. :
6		Unit	1/1000 mm	Parts:
5		Scale	20:1	
4		Date		065-477
3		Drawn		
2		Checked	T. Hiruta	Name:
1		Approved		SETTING STEM
Material				Drawing No. : 4770S000
Heat Treatment		General Tolerances		CITIZEN WATCH CO.,LTD. TOKYO, JAPAN
Hardness		Dimensions		
Plating		Angles		