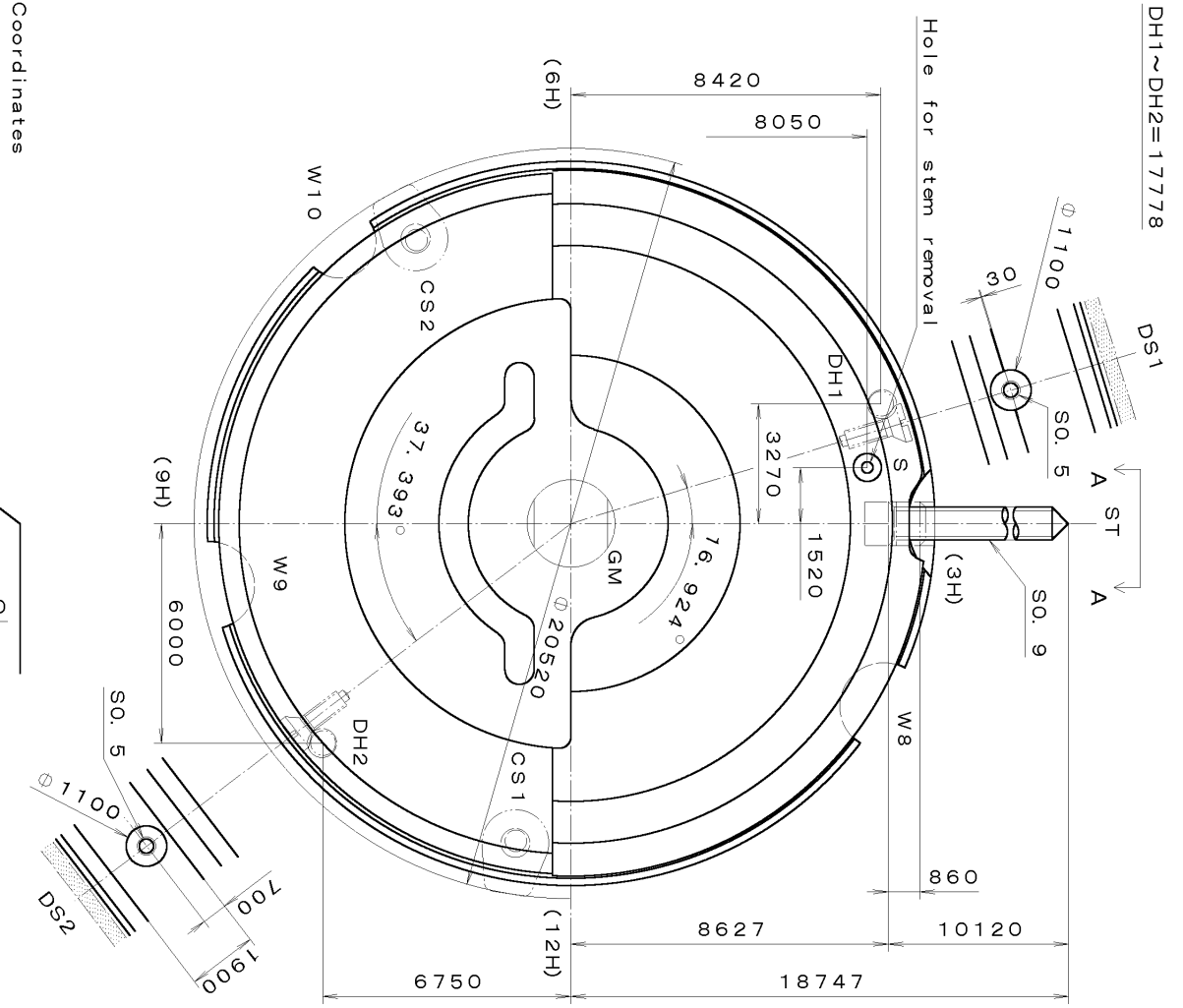
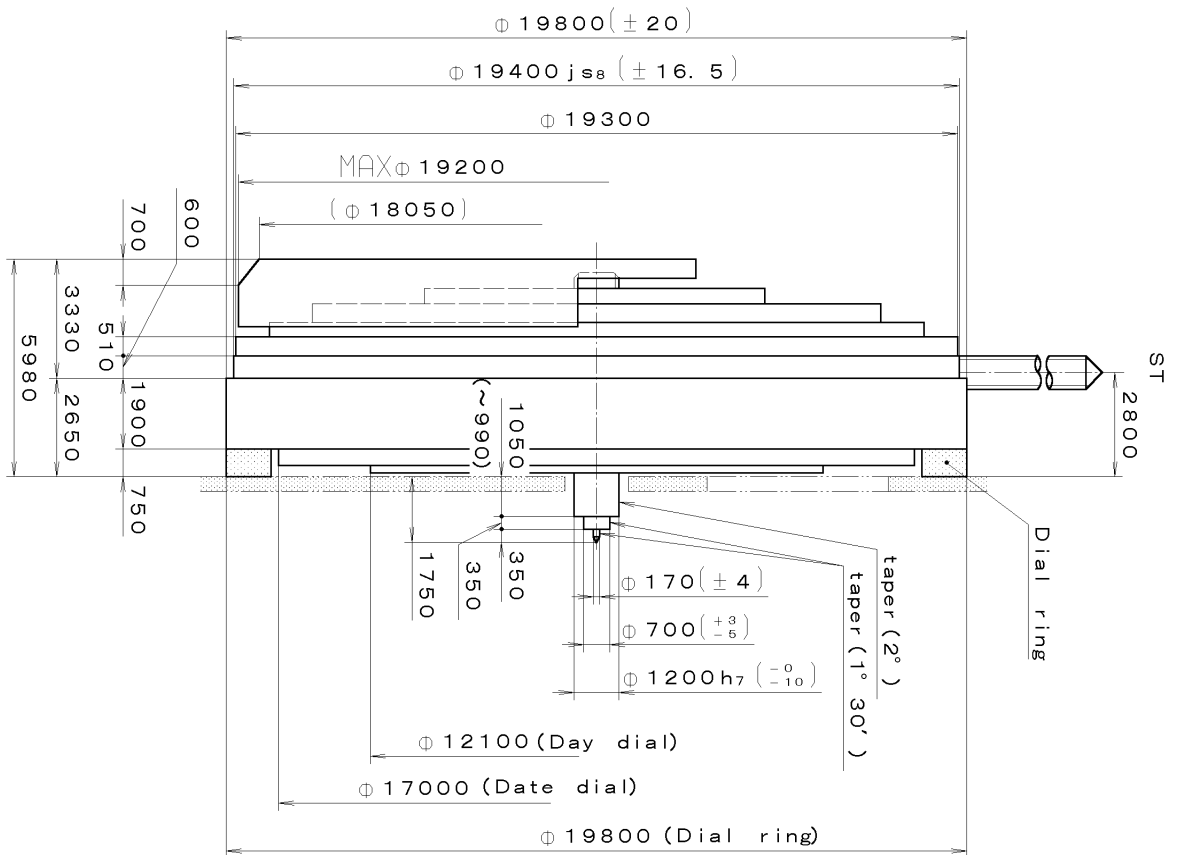
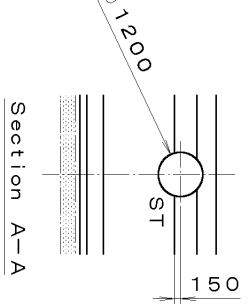
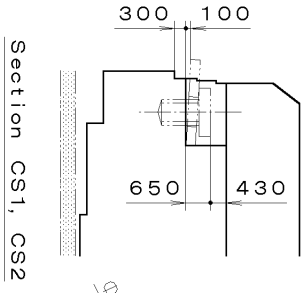


DH1~DH2=17778



Coordinates

Mark	X	Y	R
GM	0	0	
CS1	8680	-1502	
CS2	-7739	-4205	
W8	5000	8500	1200
W9	1700	-9800	1200
W10	-7700	-6300	1000

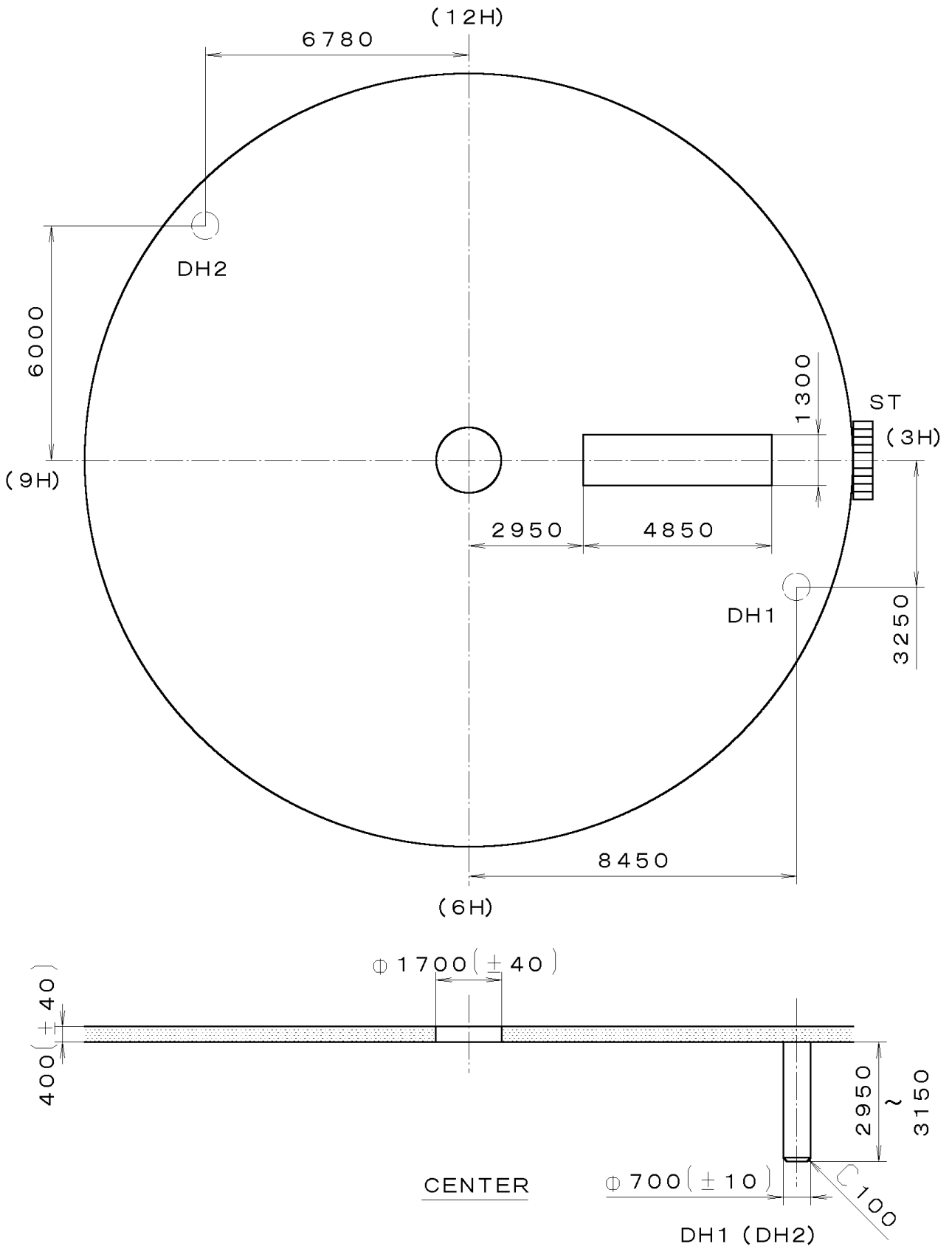


Material	Quantity	Unit	Cal. No. :	6T51
Heat Treatment	Scale	1/1000 mm	Parts:	
Hardness	Date	7:1	Drawn	
Plating	Checked	T. Hiruta	Checked	
	Approved		Name:	Frame for Case
			Drawing No. :	6T51C000
General Tolerances				
Dimensions				
Angles				

CITIZEN WATCH CO., LTD.
TOKYO, JAPAN

This drawing is provisional and subject to our reconfirmation and/or revision without notice.

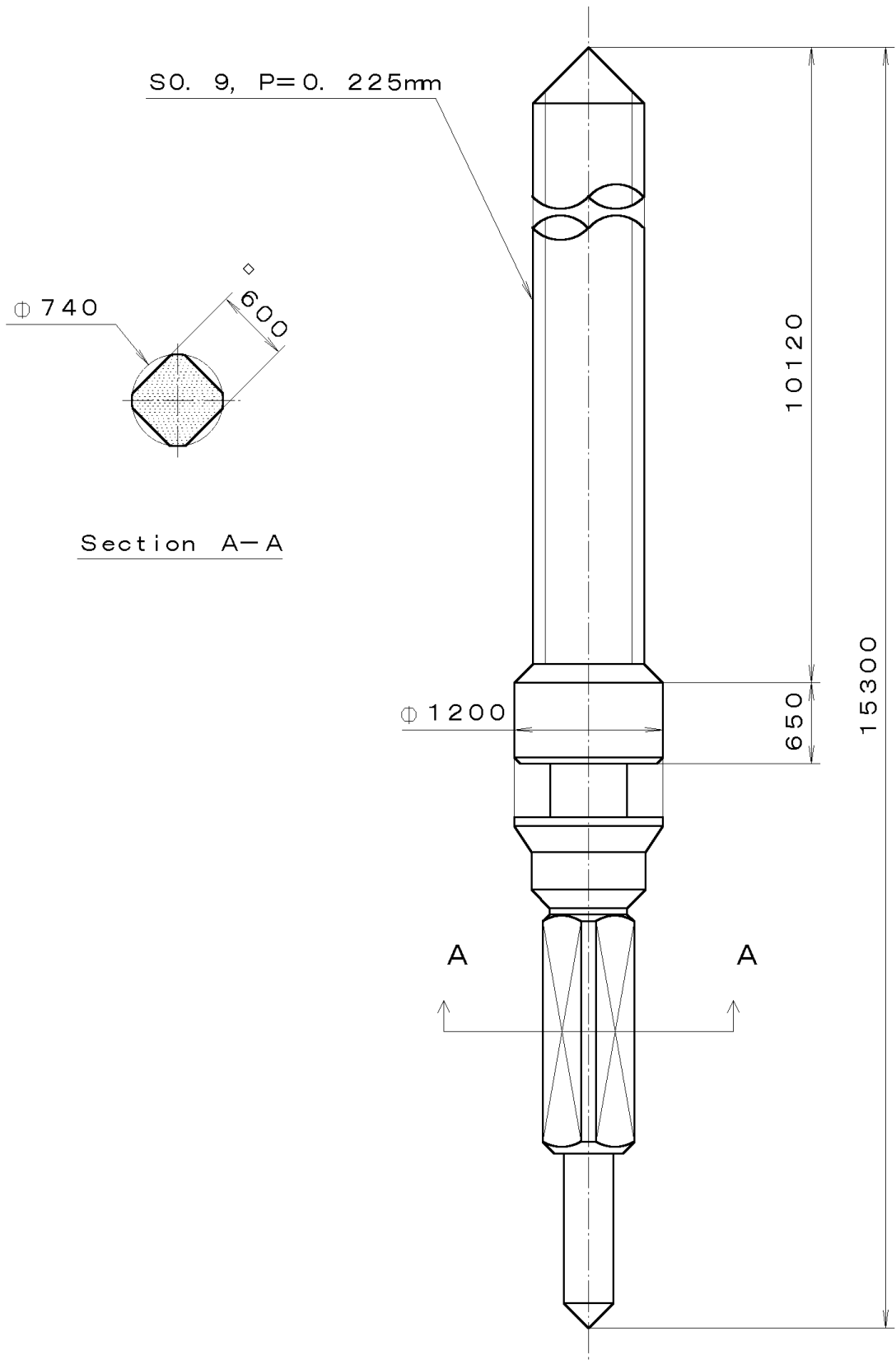
GT51-AAQ (01) *** (2100 1121) 00-09-18



7		Quantity		Cal. No. : 6T51-AAQ
6		Unit	1/1000 mm	Parts :
5		Scale	7:1	
4		Date		Name : Indications for Dial
3		Drawn		
2		Checked	T. Hiruta	Drawing No. : 6T51D000
1		Approved		
Material				CITIZEN WATCH CO., LTD. TOKYO, JAPAN
Heat Treatment		General Tolerances		
Hardness		Dimensions		
Plating		Angles		

This drawing is provisional and subject to our reconfirmation and/or revision without notice.

065-117 (01) *** (2100 1121) 00-09-18



7			Quantity		Cal. No. :
6			Unit	1/1000 mm	
5			Scale	20:1	Parts:
4			Date		065-117
3			Drawn		Name:
2			Checked	T. Hiruta	SETTING STEM
1			Approved		Drawing No. : 1170S000
Material					CITIZEN WATCH CO.,LTD. TOKYO, JAPAN
Heat Treatment			General Tolerances		
Hardness			Dimensions		
Plating			Angles		