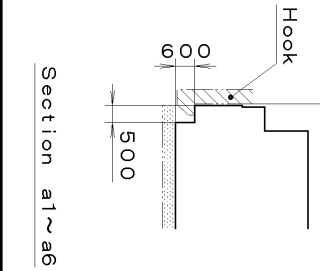
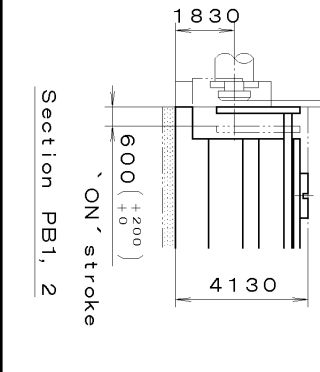
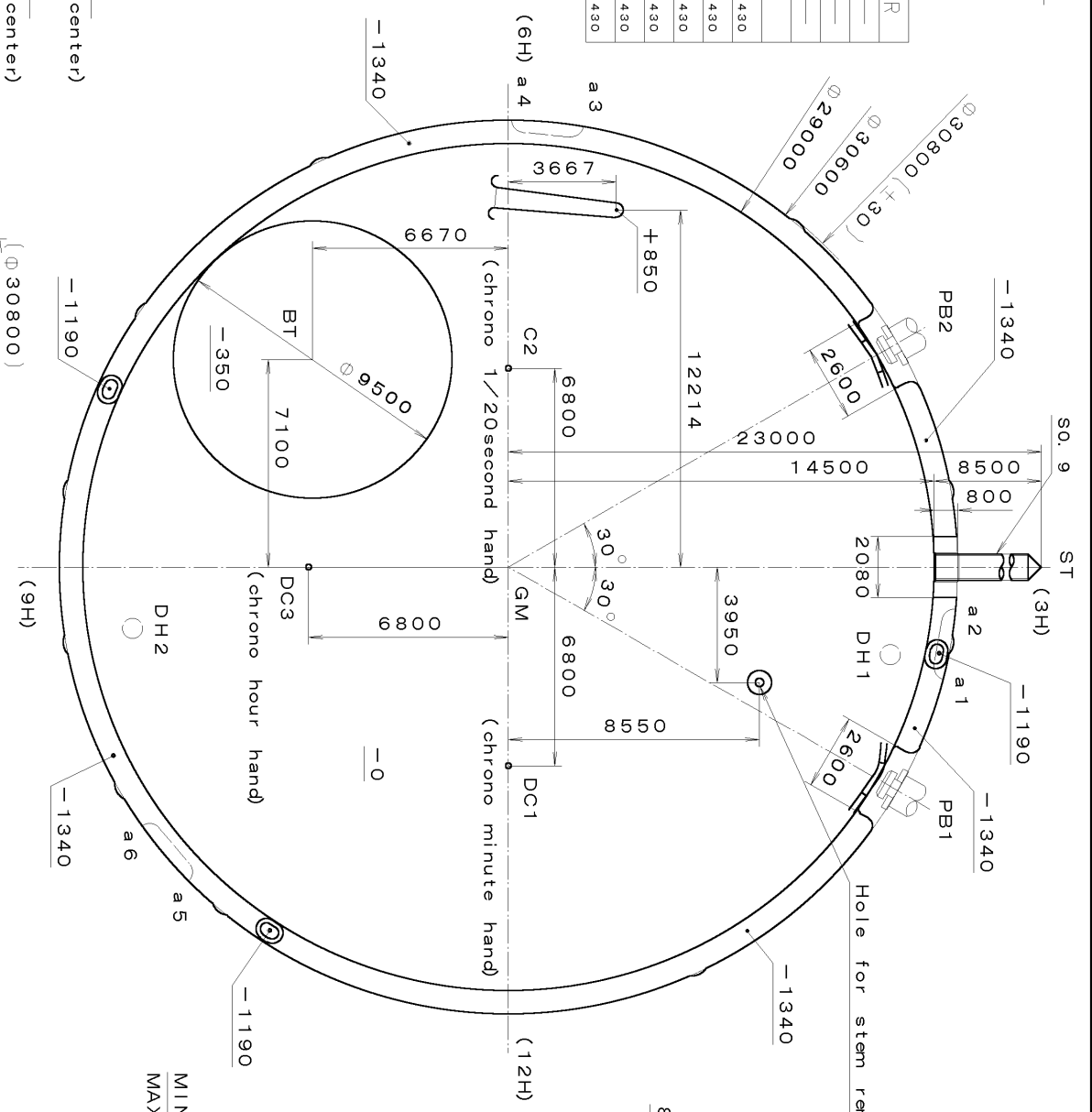
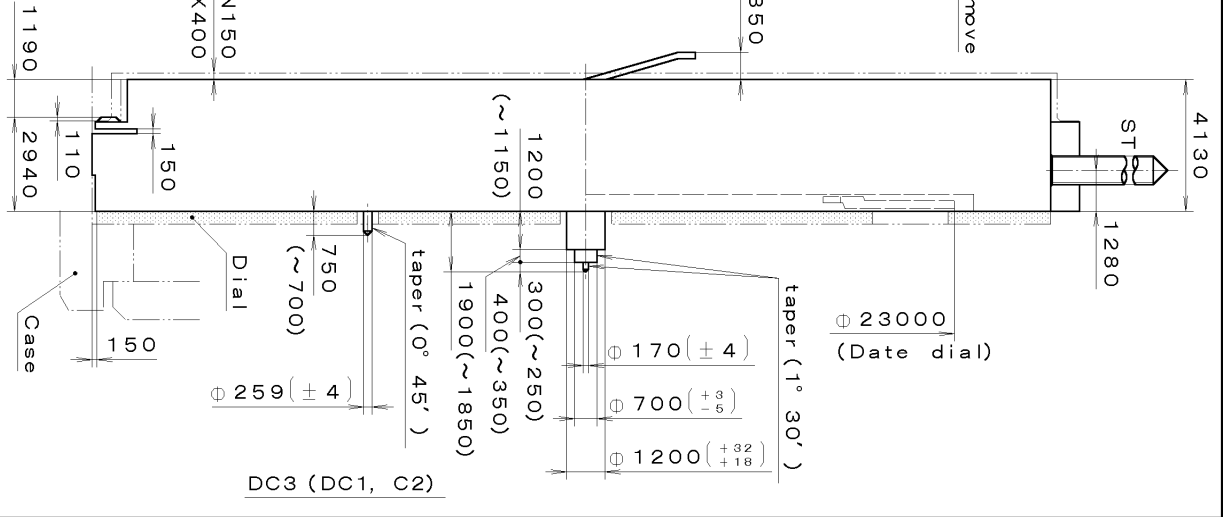


DH1~DH2=25816 (±20)
Stroke for PB must be minimum 600 [+0] μm

Coordinates			
Mark	X	Y	R
GM	0	0	—
DH1	3000	13000	—
DH2	2100	-12800	—
a1	3441	14908	430
a2	1865	15186	430
a3	-15151	2129	430
a4	-15291	535	430
a5	10434	-11190	430
a6	9208	-12219	430

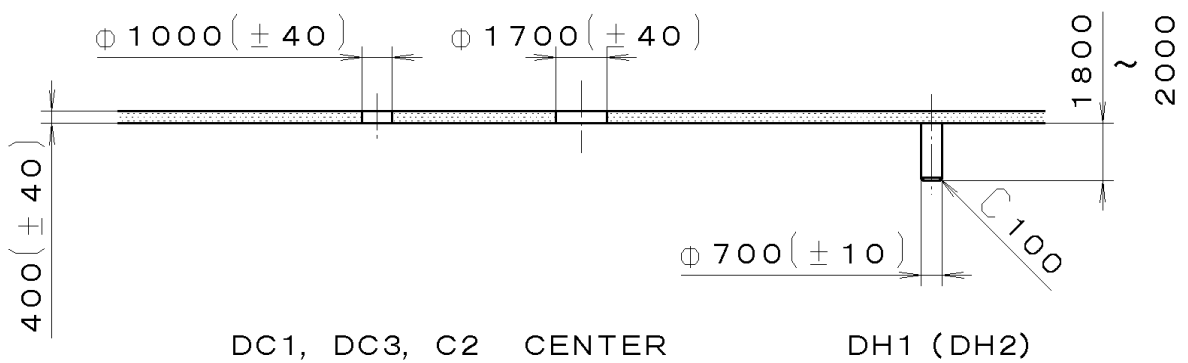
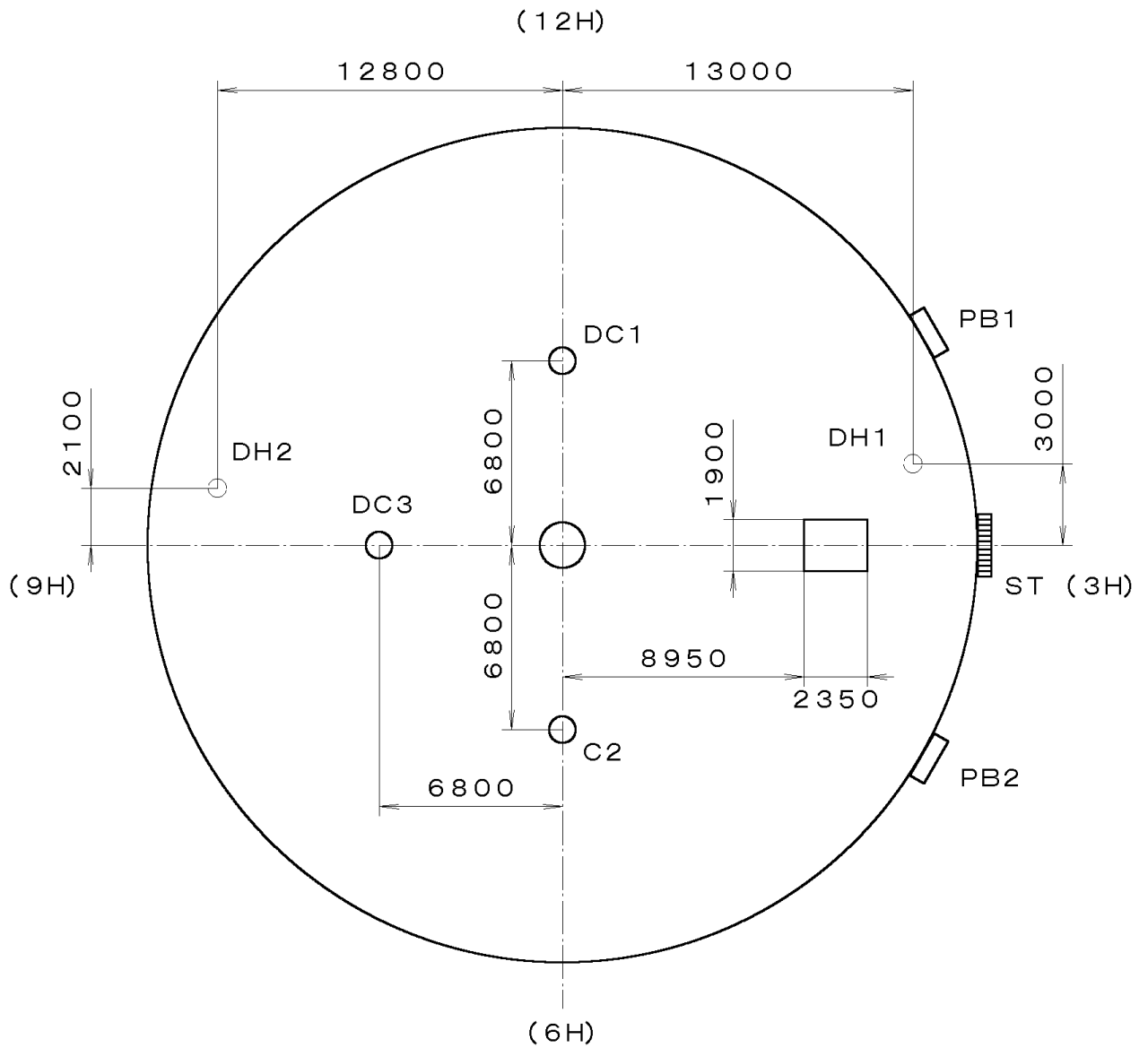


Quantity	Unit	Scale	Cal. No. :
1	1/1000 mm	6:1	OS60
Parts:			
Name: Frame for Case			
Drawing No. : OS60C000			
Material			
Heat Treatment			
Hardness			
Plating			
General Tolerances			
Dimensions			
Angles			



CITIZEN WATCH CO., LTD.
TOKYO, JAPAN

This drawing is provisional and subject to our reconfirmation and/or revision without notice.

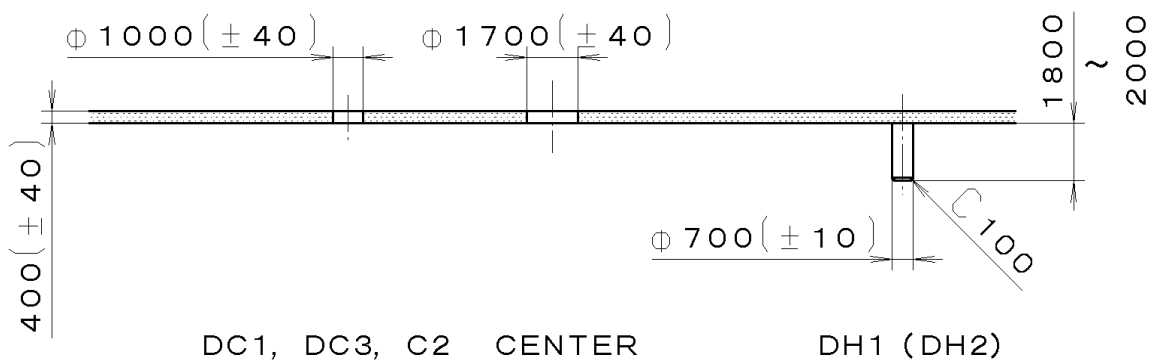
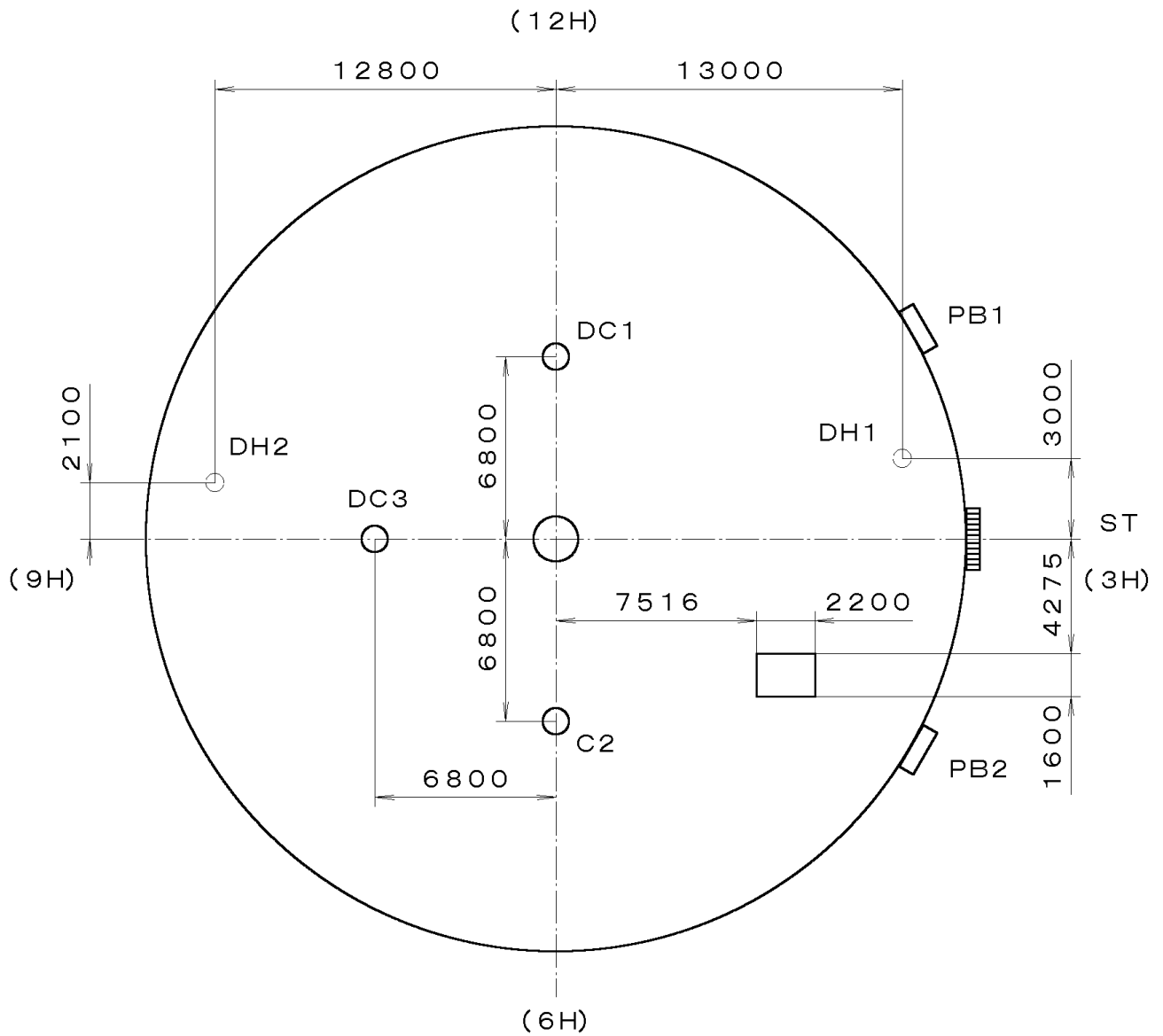


DC1, DC3, C2 CENTER

DH1 (DH2)

OS10-00A (01) *** (2100 1121) 00-07-06 *** T I P W	7		Quantity		Cal. No. : OS10-00A OS60-00A
	6		Unit	1/1000 mm	
	5		Scale	4:1	Parts:
	4		Date		
	3		Drawn		
2		Checked	T. Hiruta	Name:	Indications for Dial
1		Approved		Drawing No. : OS10D000	
Material				CITIZEN WATCH CO., LTD. TOKYO, JAPAN	
Heat Treatment		General Tolerances			
Hardness		Dimensions			
Plating		Angles			

This drawing is provisional and subject to our reconfirmation and/or revision without notice.

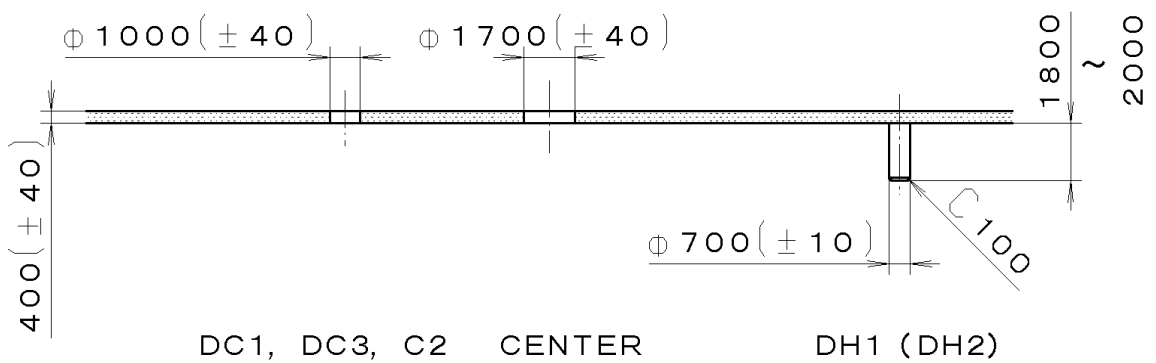
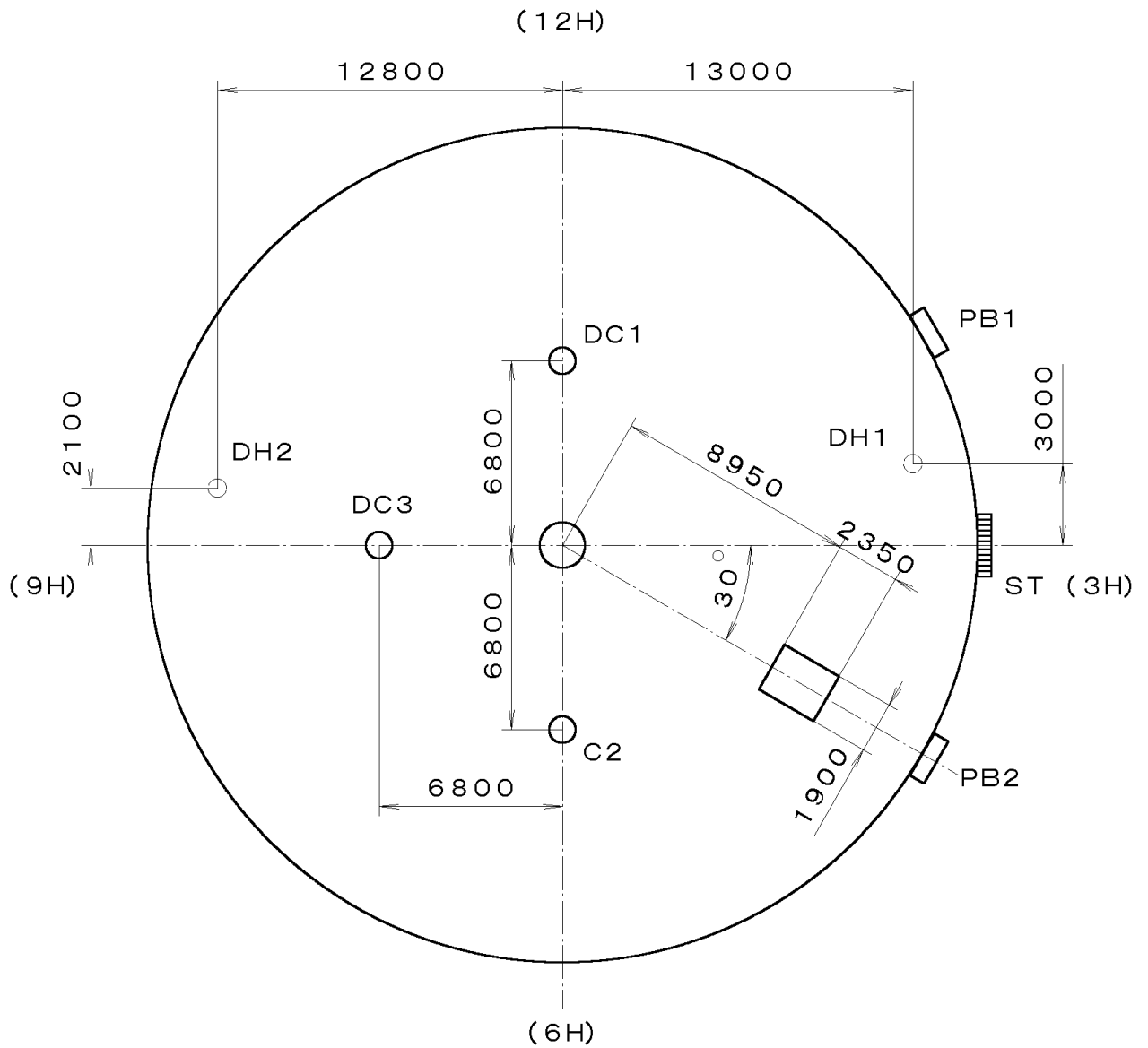


DC1, DC3, C2 CENTER

DH1 (DH2)

OS10-00S (01) *** (2100 1121) 00-07-06 30.5 *** T I P W	7		Quantity		Cal. No. : OS10-00S OS60-00S
	6		Unit	1/1000 mm	
	5		Scale	4:1	Parts:
	4		Date		
	3		Drawn		
	2		Checked	T. Hiruta	Name:
	1		Approved		Indications for Dial
Material				Drawing No. : OS10D010	
Heat Treatment			General Tolerances	CITIZEN WATCH CO., LTD. TOKYO, JAPAN	
Hardness			Dimensions		
Plating			Angles		

This drawing is provisional and subject to our reconfirmation and/or revision without notice.

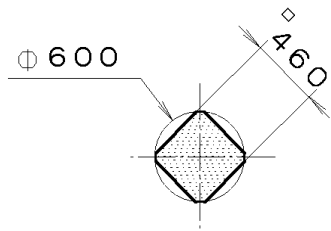


DC1, DC3, C2 CENTER DH1 (DH2)

OS10-00U (01) *** (2100 1121) 00-07-06 *** T I P W	7		Quantity		Cal. No. : OS10-00U OS60-00U
	6		Unit	1/1000 mm	
	5		Scale	4:1	Parts:
	4		Date		
	3		Drawn		
	2		Checked	T. Hiruta	Name:
	1		Approved		Indications for Dial
Material					Drawing No. : OS10D020
Heat Treatment			General Tolerances		CITIZEN WATCH CO.,LTD. TOKYO, JAPAN
Hardness			Dimensions		
Plating			Angles		

This drawing is provisional and subject to our reconfirmation and/or revision without notice.

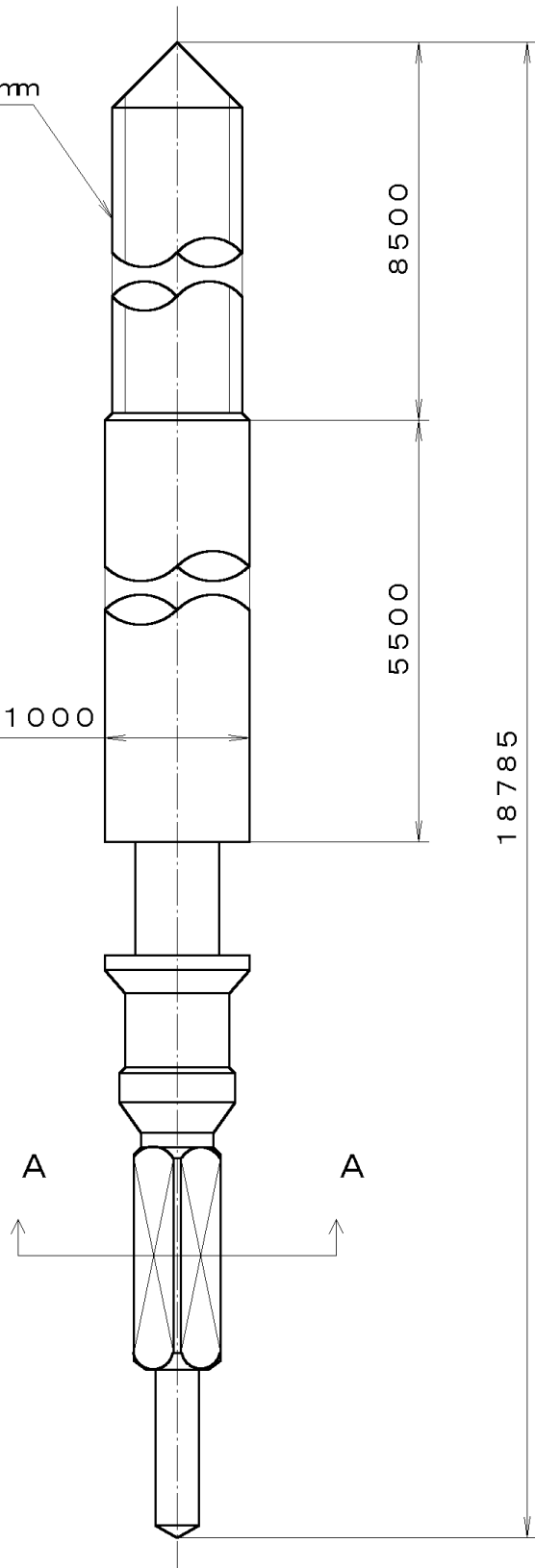
065-453 (01) *** (2100 1121) 00-07-06



Section A-A

SO. 9, P=0. 225mm

Φ 1000



18785

7			Quantity		Cal. No. :
6			Unit	1/1000 mm	
5			Scale	20:1	Parts:
4			Date		065-453
3			Drawn		Name:
2			Checked	T. Hiruta	SETTING STEM
1			Approved		Drawing No. : 4530S000
Material			General Tolerances		CITIZEN WATCH CO.,LTD. TOKYO, JAPAN
Heat Treatment			Dimensions		
Hardness			Angles		
Plating					