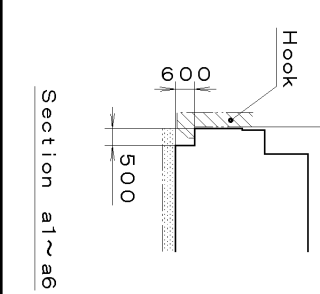
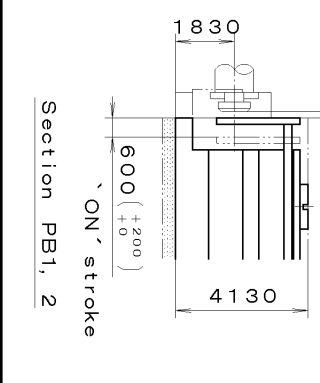
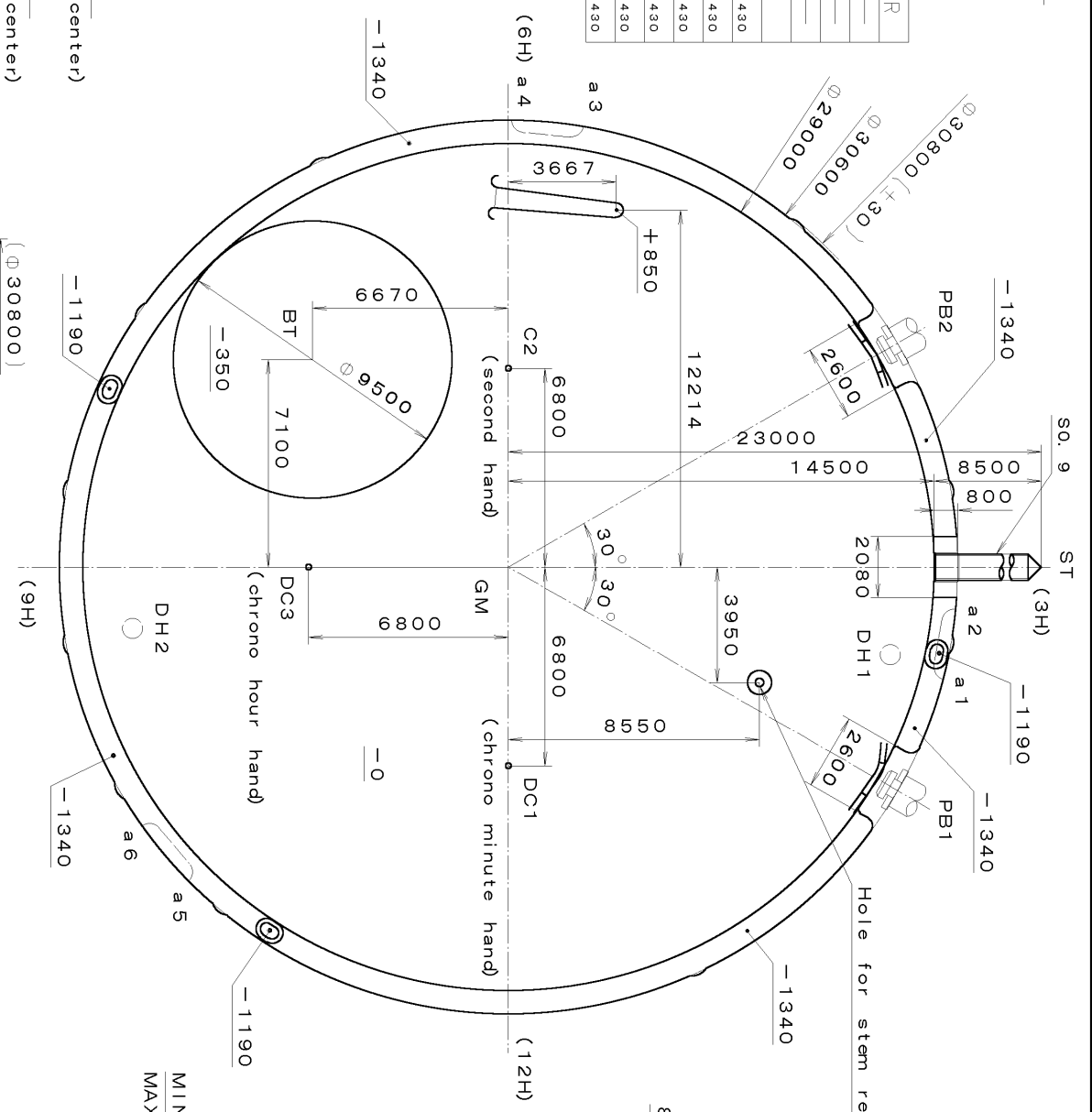


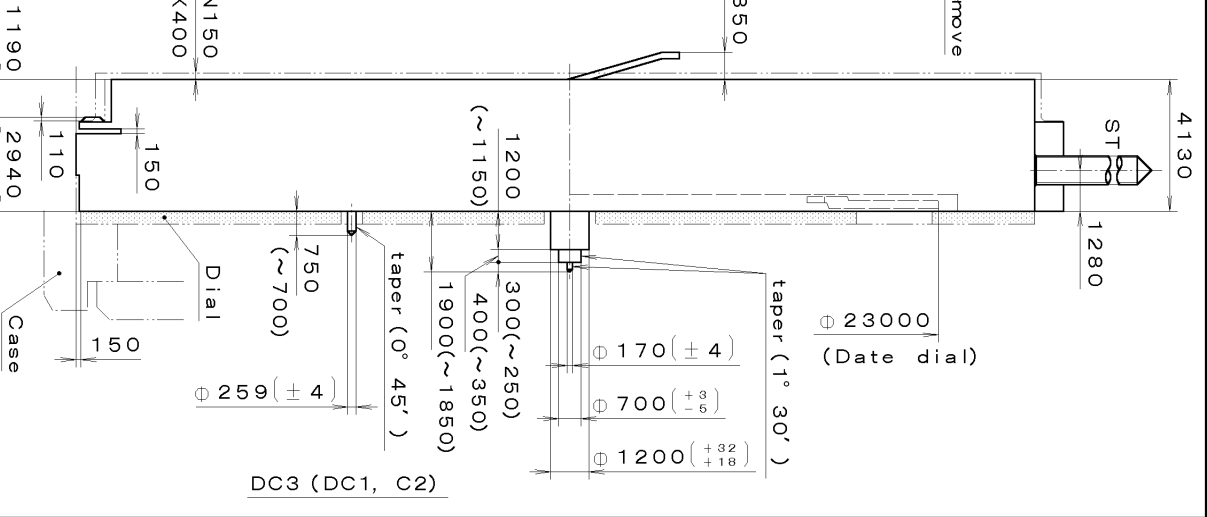
DH1~DH2=25816 (±20)
Stroke for PB must be minimum 600 [+0] μm

Coordinates

Mark	X	Y	R
GM	0	0	—
DH1	3000	13000	—
DH2	2100	-12800	—
a1	3441	14908	430
a2	1865	15186	430
a3	-15151	2129	430
a4	-15291	535	430
a5	10434	-11190	430
a6	9208	-12219	430

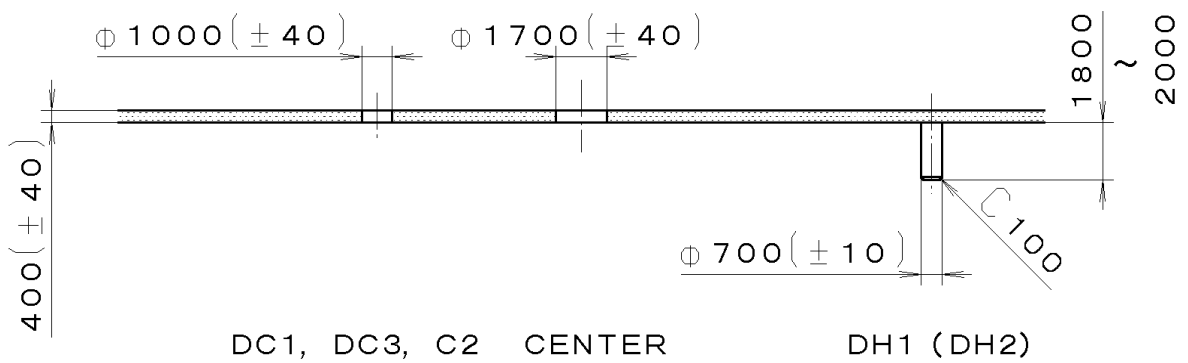
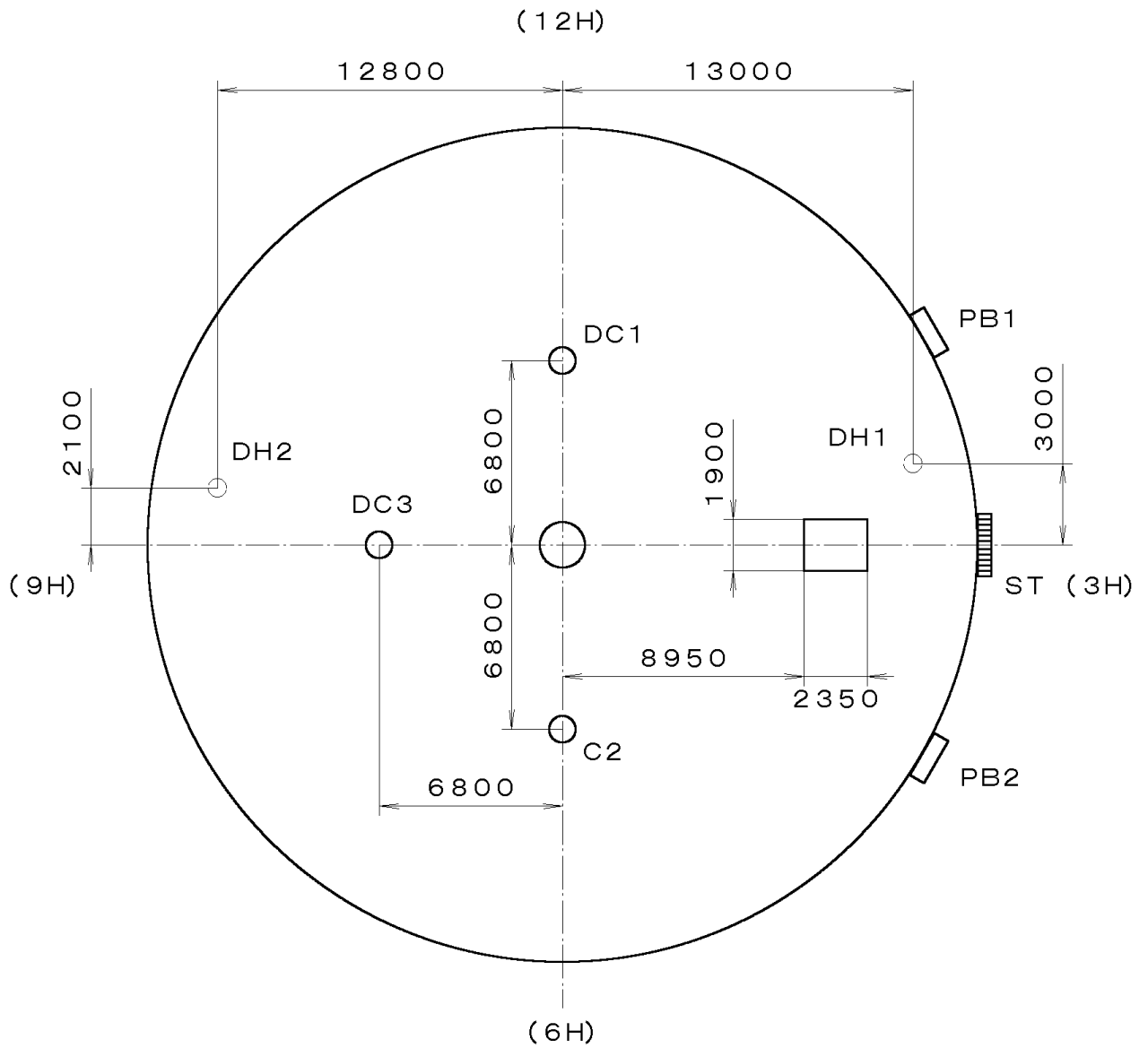


Material	Quantity	Unit	Cal. No. :
Heat Treatment	1/1000	mm	OS10
Hardness	Scale	6:1	Parts:
Plating	Date		
	Drawn		
	Checked	T. Hiruta	Name:
	Approved		Frame for Case
General Tolerances			Drawing No. : OS10C0000
Dimensions			
Angles			



CITIZEN WATCH CO., LTD.
TOKYO, JAPAN

This drawing is provisional and subject to our reconfirmation and/or revision without notice.

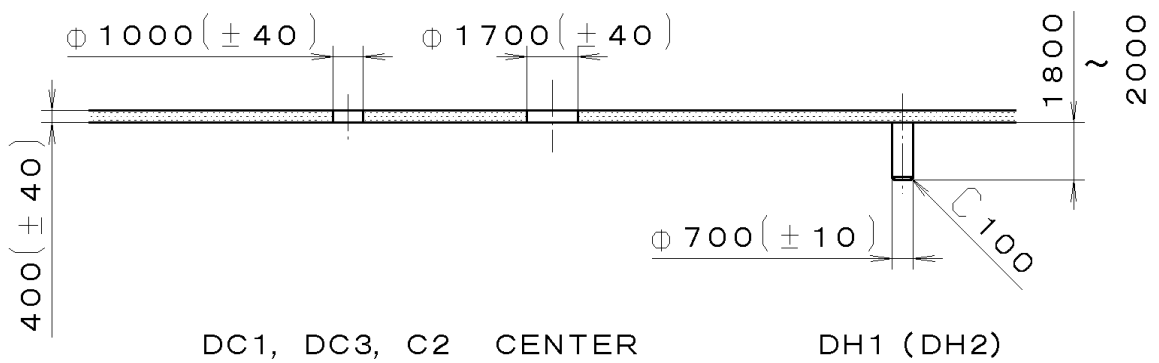
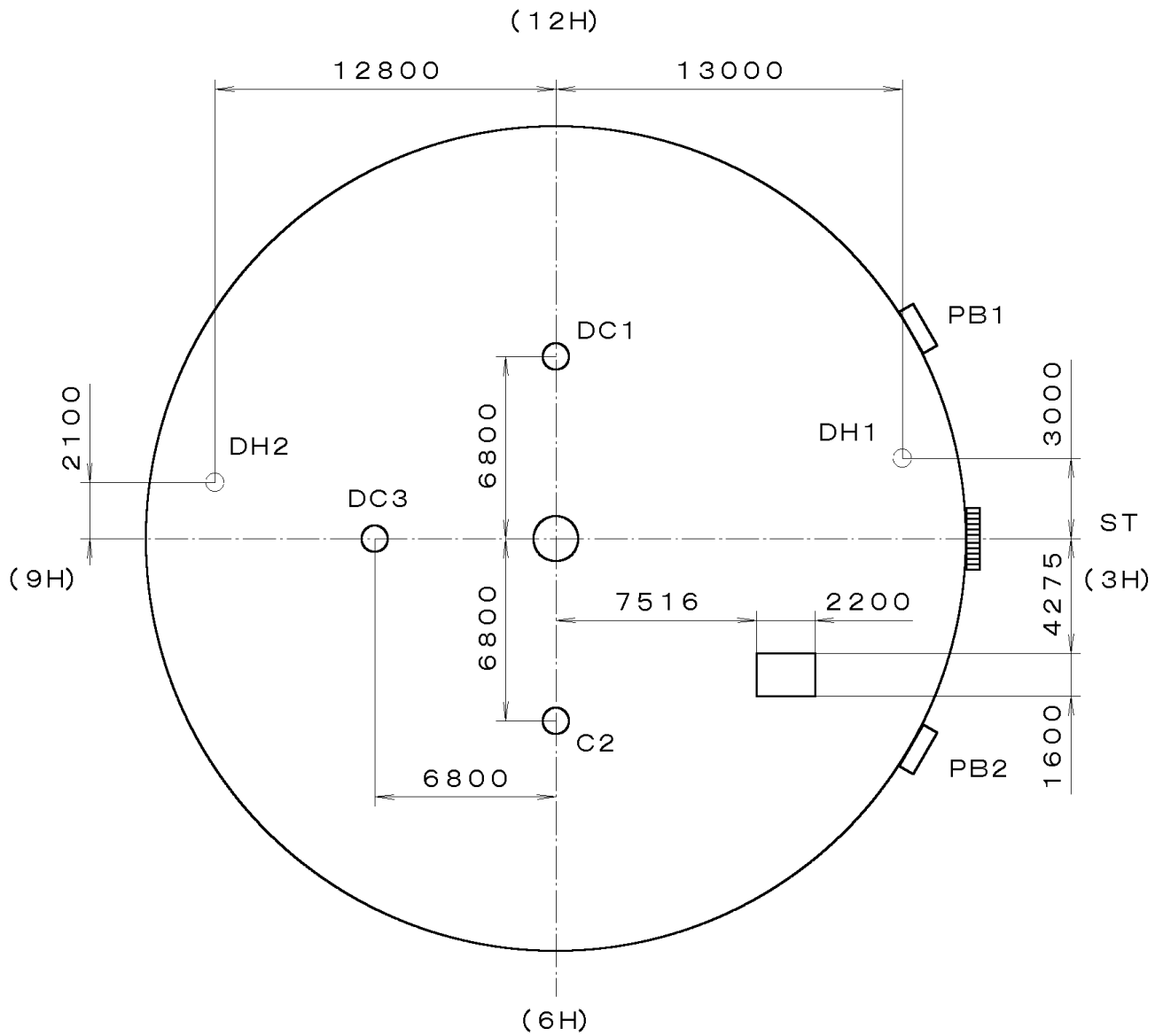


DC1, DC3, C2 CENTER

DH1 (DH2)

OS10-00A (01) *** (2100 1121) 00-07-05 *** T I P W	7		Quantity		Cal. No. : OS10-00A OS60-00A
	6		Unit	1/1000 mm	
	5		Scale	4:1	Parts:
	4		Date		
	3		Drawn		
	2		Checked	T. Hiruta	Name:
	1		Approved		Indications for Dial
Material					Drawing No. : OS10D000
Heat Treatment			General Tolerances		CITIZEN WATCH CO.,LTD. TOKYO, JAPAN
Hardness			Dimensions		
Plating			Angles		

This drawing is provisional and subject to our reconfirmation and/or revision without notice.

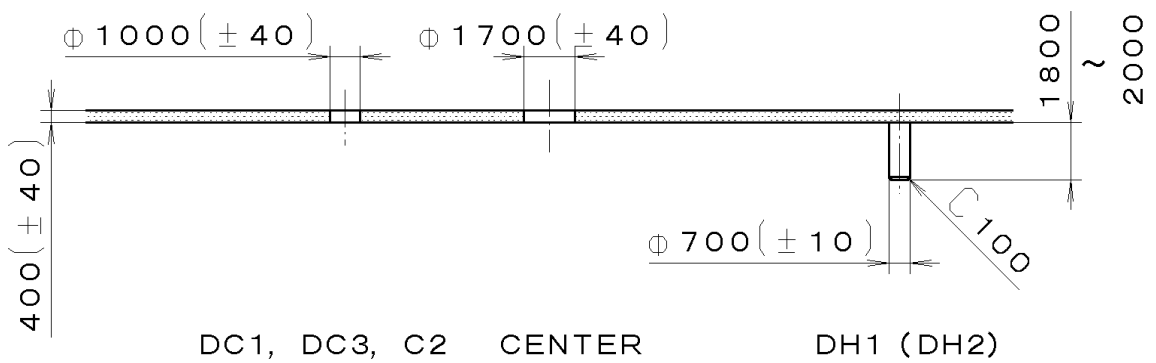
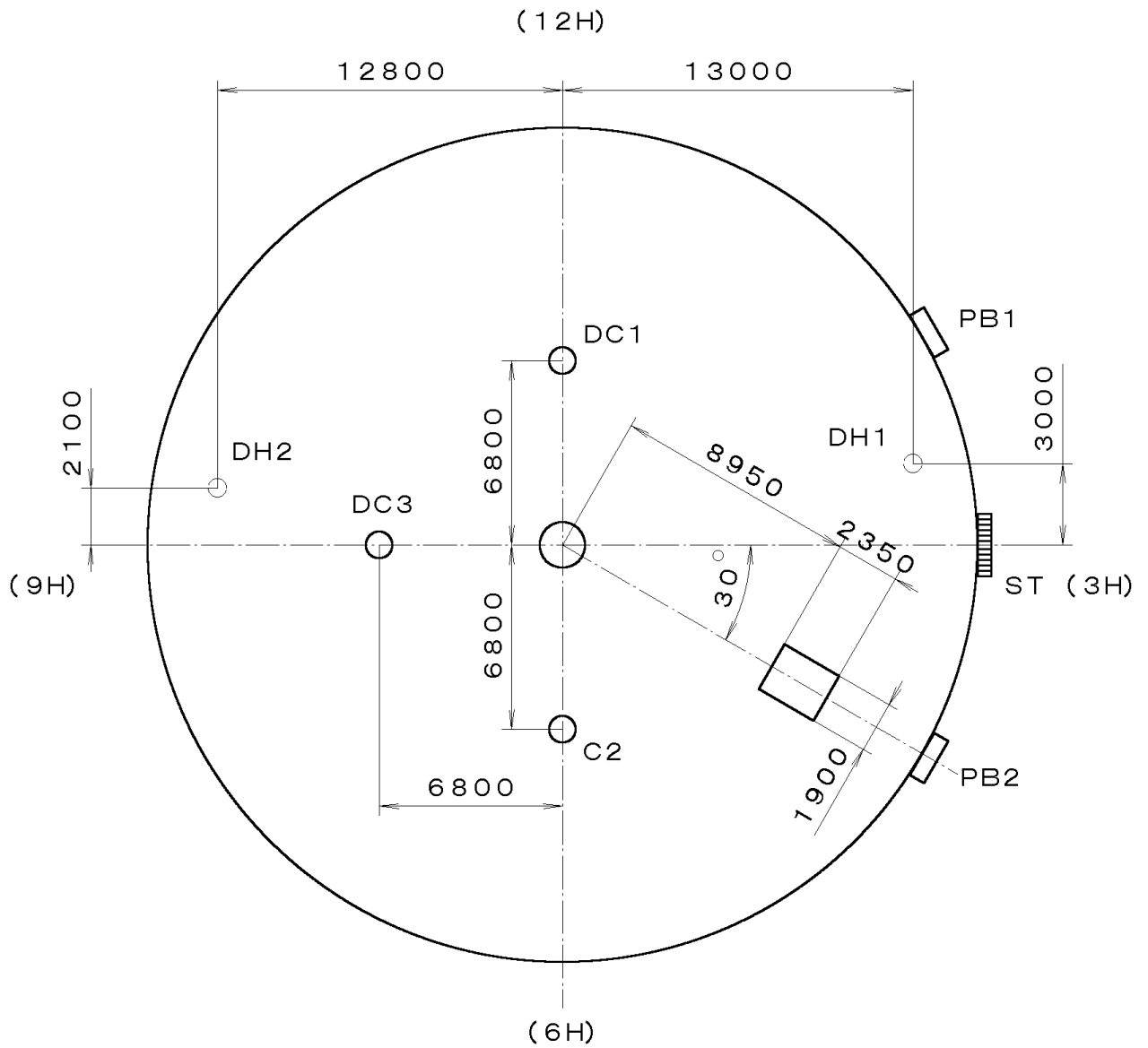


DC1, DC3, C2 CENTER

DH1 (DH2)

OS10-00S (01) *** (2100 1121) 00-07-05 30.5 *** T I P W	7		Quantity		Cal. No. : OS10-00S OS60-00S
	6		Unit	1/1000 mm	
	5		Scale	4:1	Parts :
	4		Date		
	3		Drawn		
	2		Checked	T. Hiruta	Name :
	1		Approved		Indications for Dial
Material				Drawing No. : OS10D010	
Heat Treatment			General Tolerances	CITIZEN WATCH CO.,LTD. TOKYO, JAPAN	
Hardness			Dimensions		
Plating			Angles		

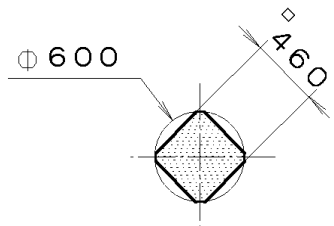
This drawing is provisional and subject to our reconfirmation and/or revision without notice.



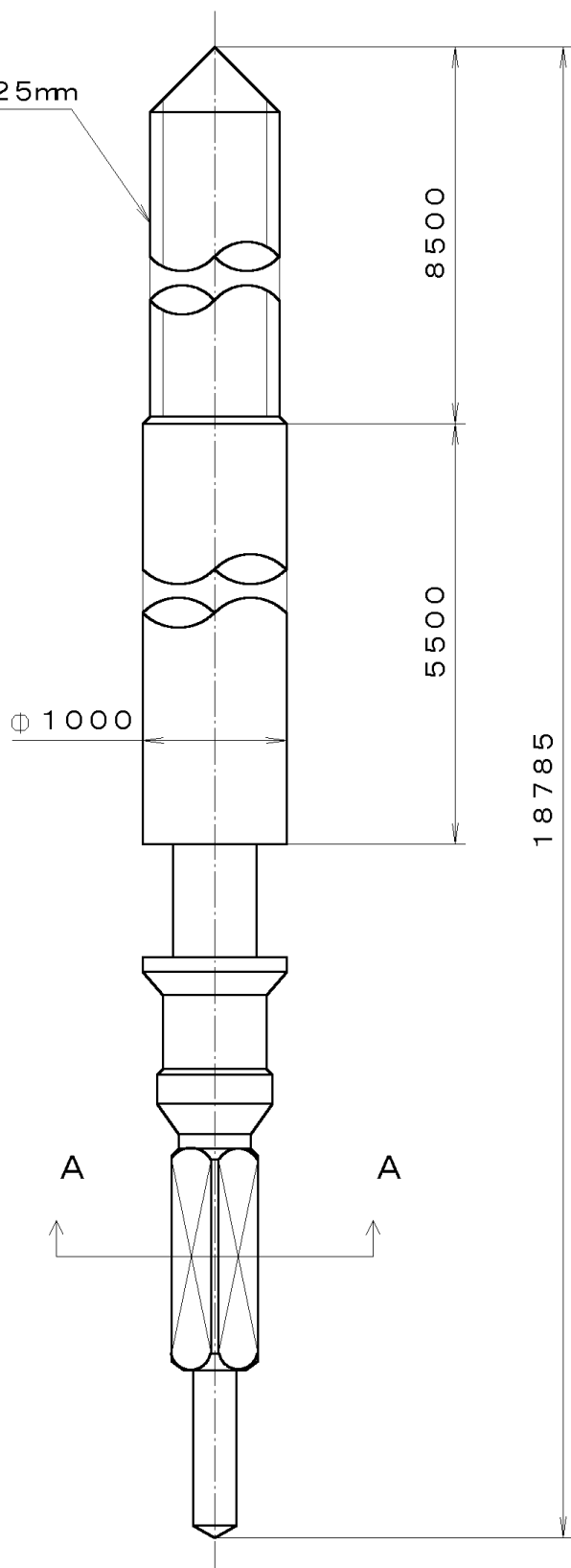
OS10-00U (01) *** (2100 1121) 00-07-05

7		Quantity		Cal. No. : OS10-00U OS60-00U
6		Unit	1/1000 mm	
5		Scale	4:1	Parts:
4		Date		
3		Drawn		Name: Indications for Dial
2		Checked	T. Hiruta	
1		Approved		Drawing No. : OS10D020
Material				CITIZEN WATCH CO.,LTD. TOKYO, JAPAN
Heat Treatment		General Tolerances		
Hardness		Dimensions		
Plating		Angles		

This drawing is provisional and subject to our reconfirmation and/or revision without notice.



Section A-A



*** T I P W (01) *** (2100 1121) 00-07-06

7		Quantity		Cal. No. :
6		Unit	1/1000 mm	
5		Scale	20:1	Parts:
4		Date		065-453
3		Drawn		Name:
2		Checked	T. Hiruta	SETTING STEM
1		Approved		Drawing No. : 4530S000
Material				CITIZEN WATCH CO.,LTD. TOKYO, JAPAN
Heat Treatment		General Tolerances		
Hardness		Dimensions		
Plating		Angles		